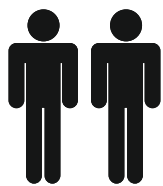
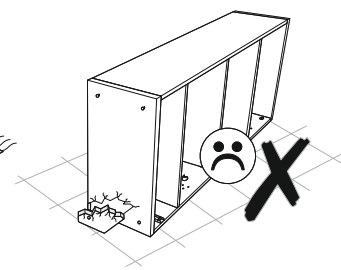
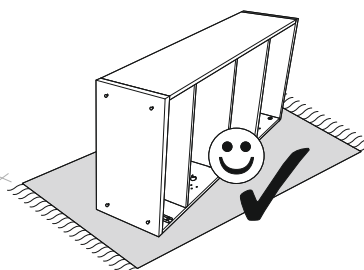
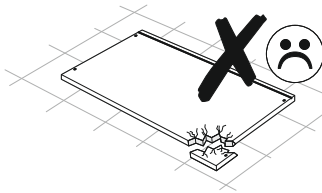
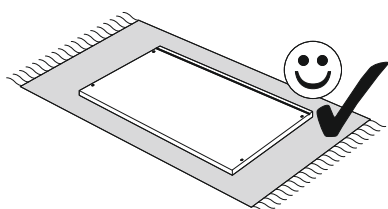
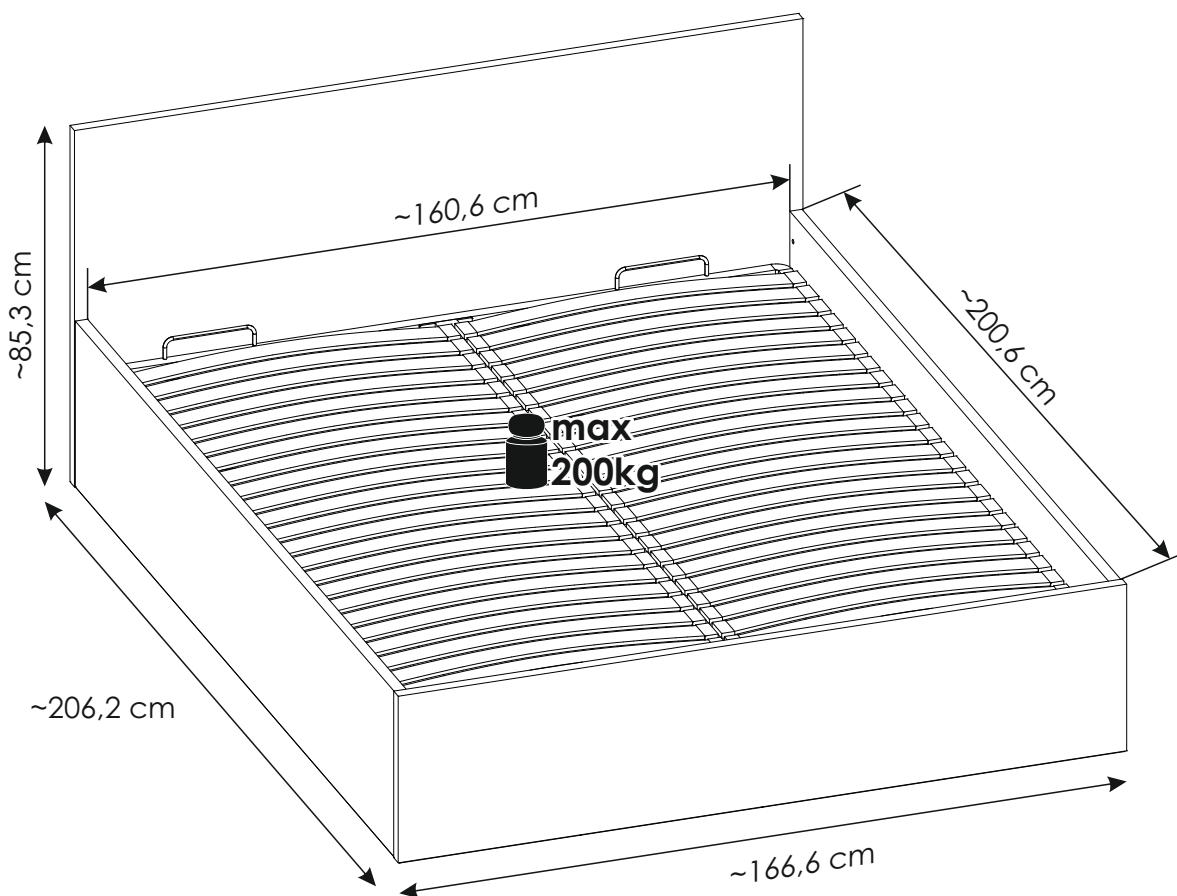
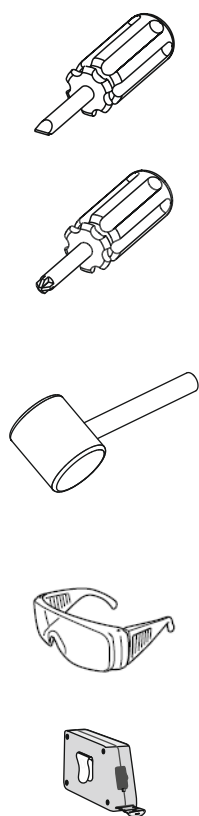
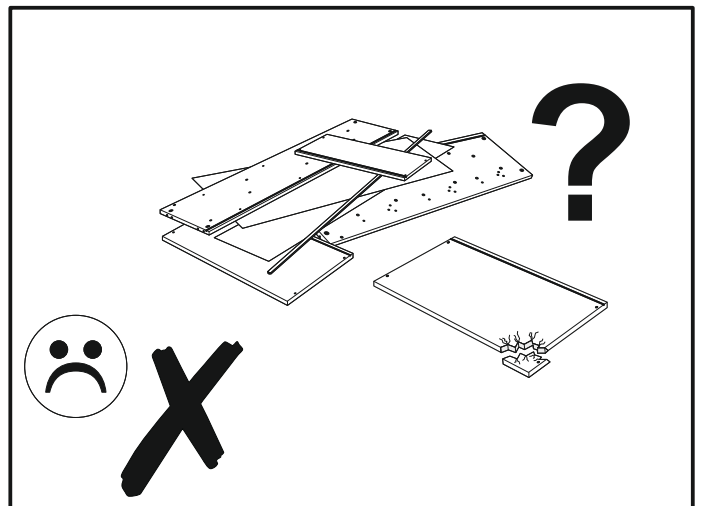
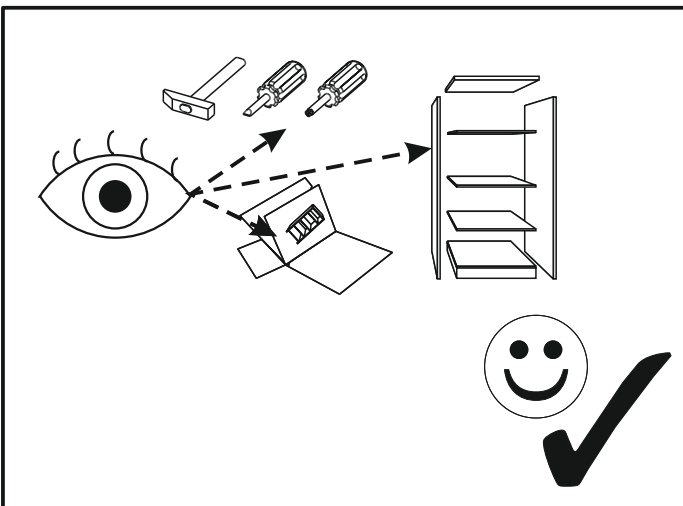
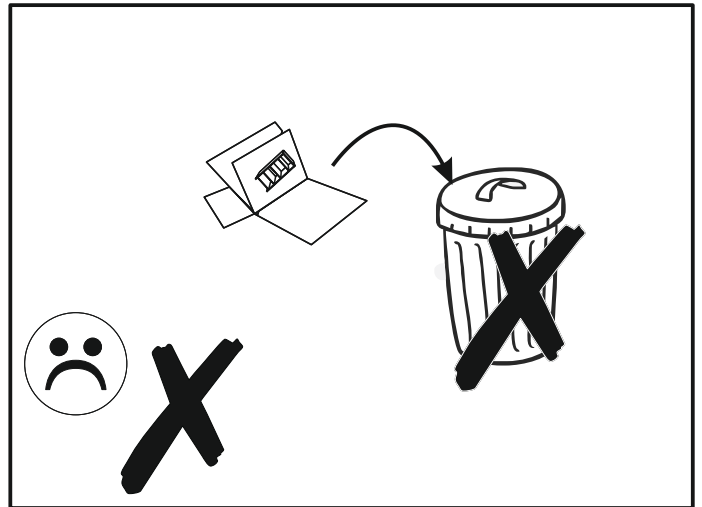
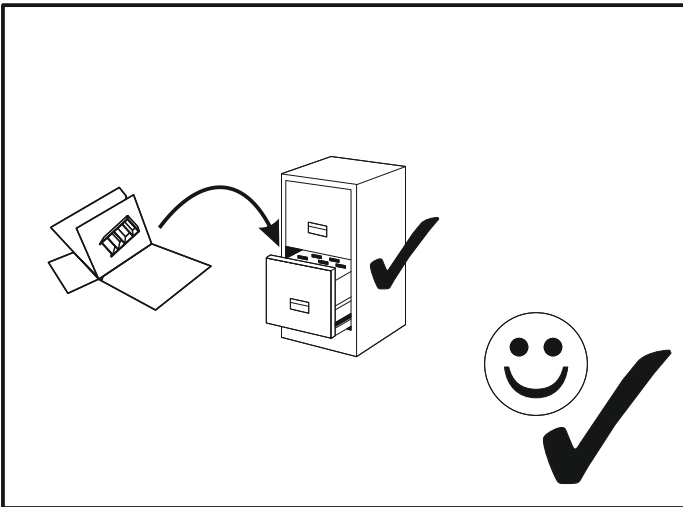
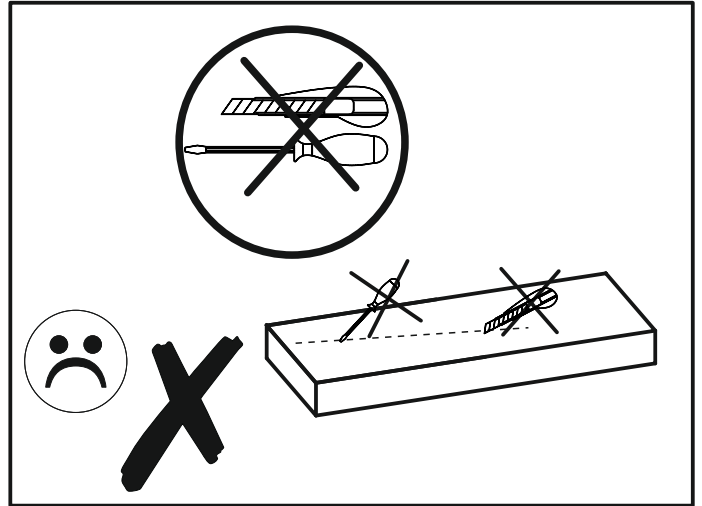
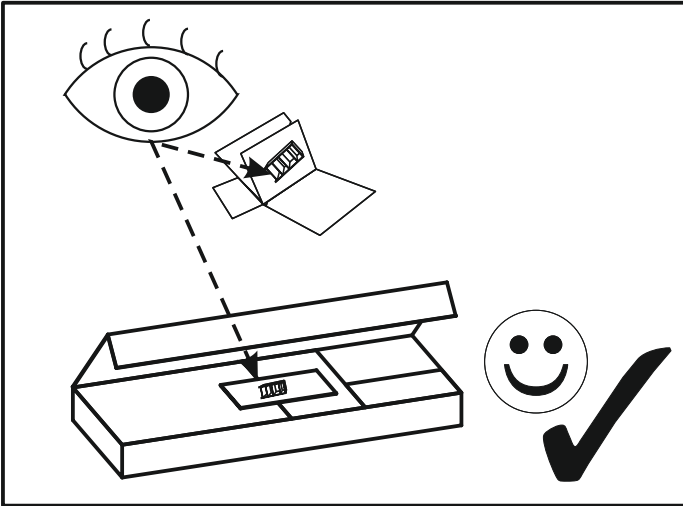


FRIZ06



140 MIN





FRIZ06

MM

260

250

240

230

220

210

200

190

180

170

160

150

140

130

120

110

100

90

80

70

60

50

40

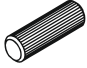


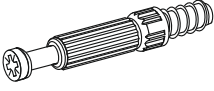
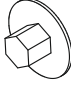
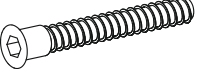

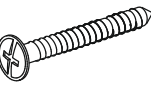

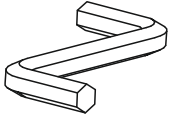
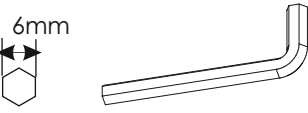
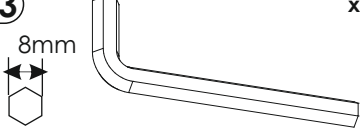
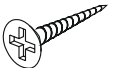
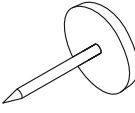
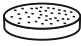
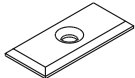
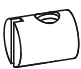

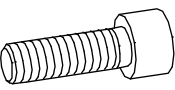


30

20

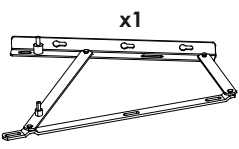
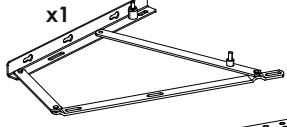
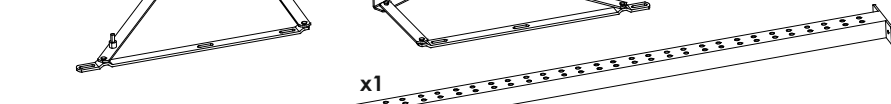
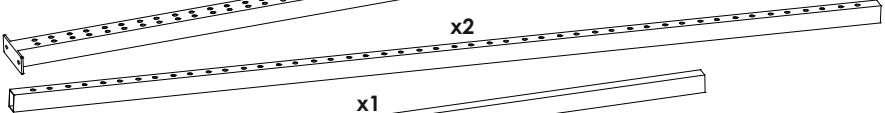
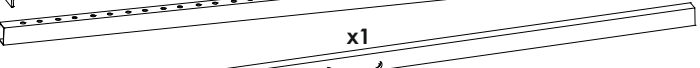
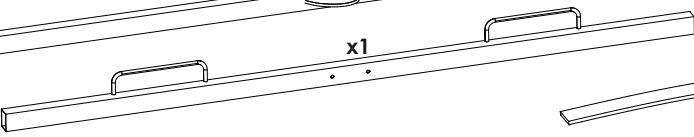
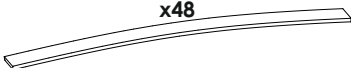

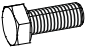

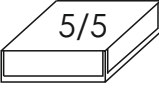



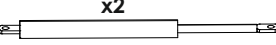
10

0

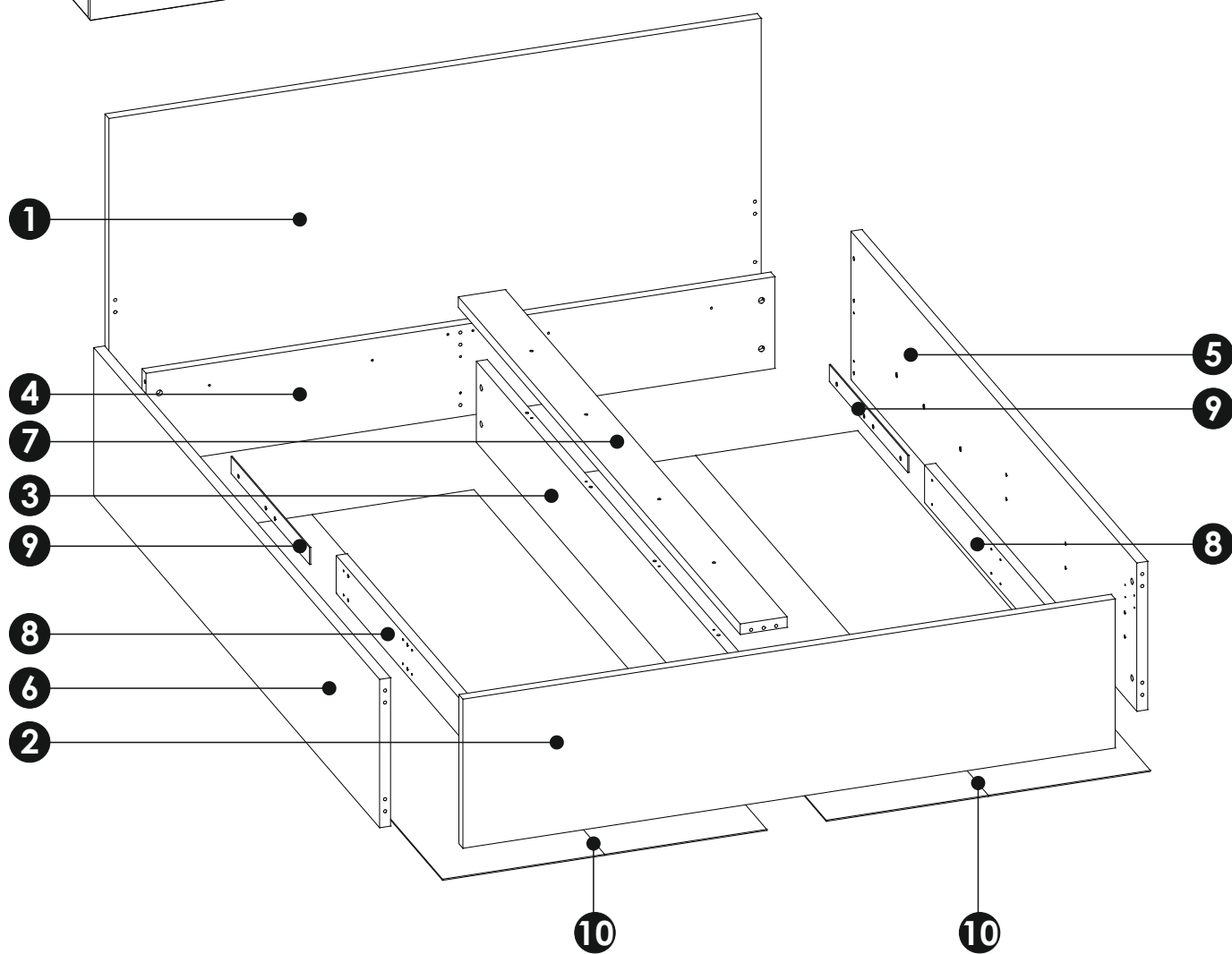
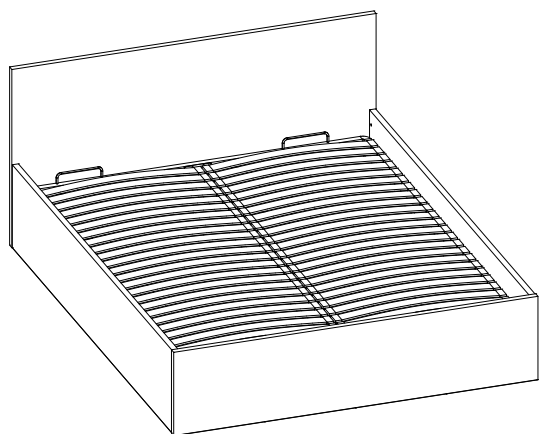


A1 8 x 35 mm x34 	C2 5 x 13 mm x16 	E1 15 x 12 mm x16 
F1 6 x 34 mm x16 	G0 	G2 7 x 60 mm x8 
I0 3 x 13 mm x10 	I17 4 x 50 mm x20 	K9 M6 x 60mm x2 
M 	M2 6mm x1 	M3 8mm x1 
N1 3 X 16 mm x70 	O2 	O2A ø20 x9 
R1 	S1 	S17 
SL1 M8 x 25 mm x6 	SL2 	SL3 

W 	x2
---	----

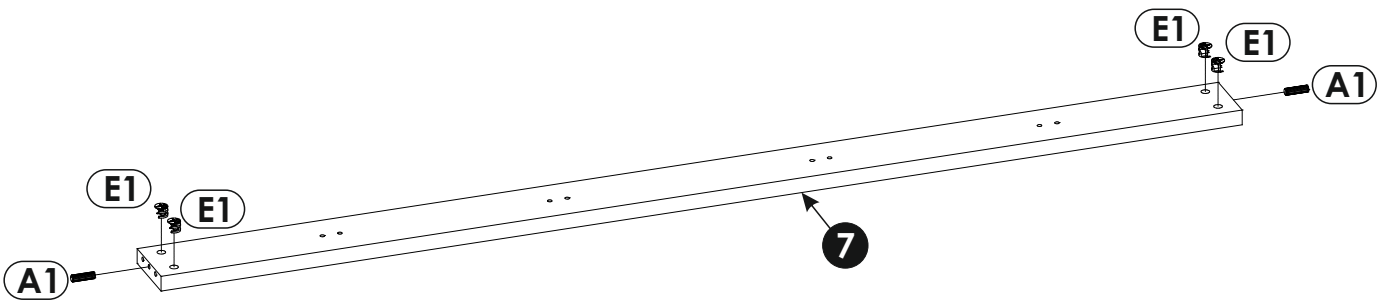
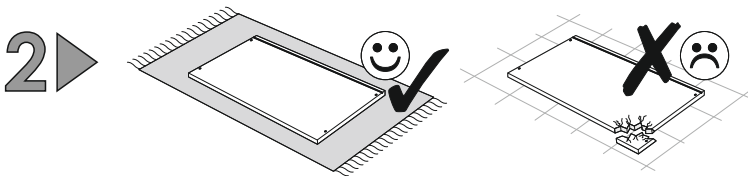
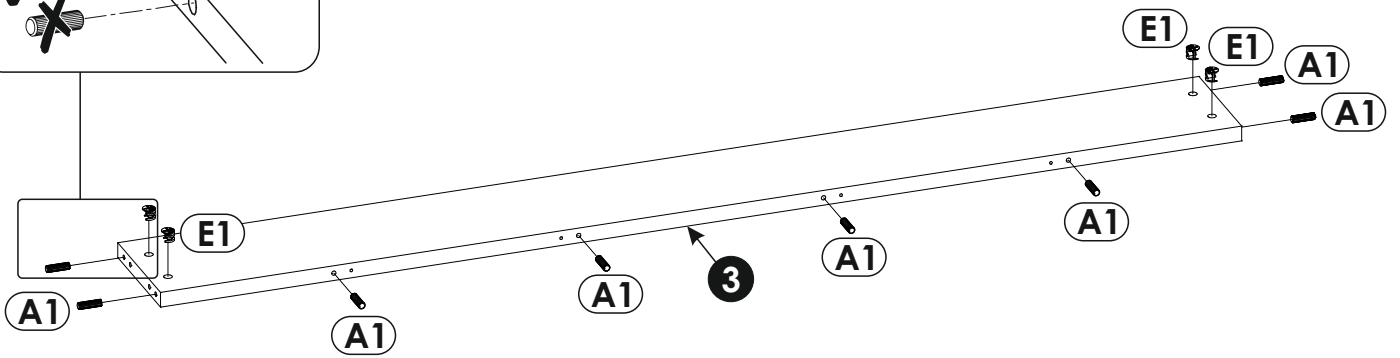
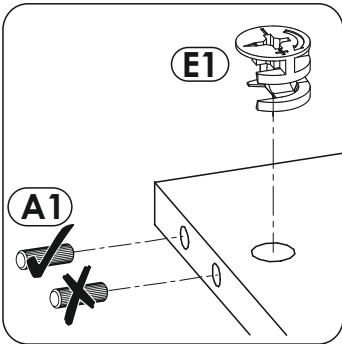
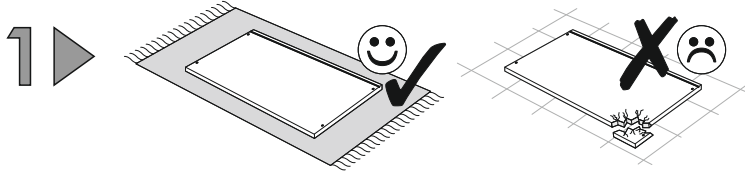
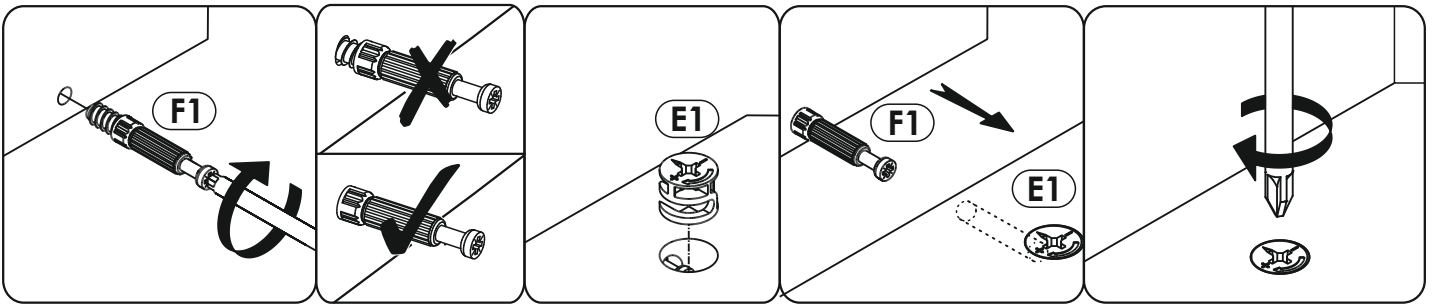
SL  x1  x1  x1  x2  x1  x1  x48	 x4  x10  x4	 5/5  x8  x14  x96  x2
---	---	---

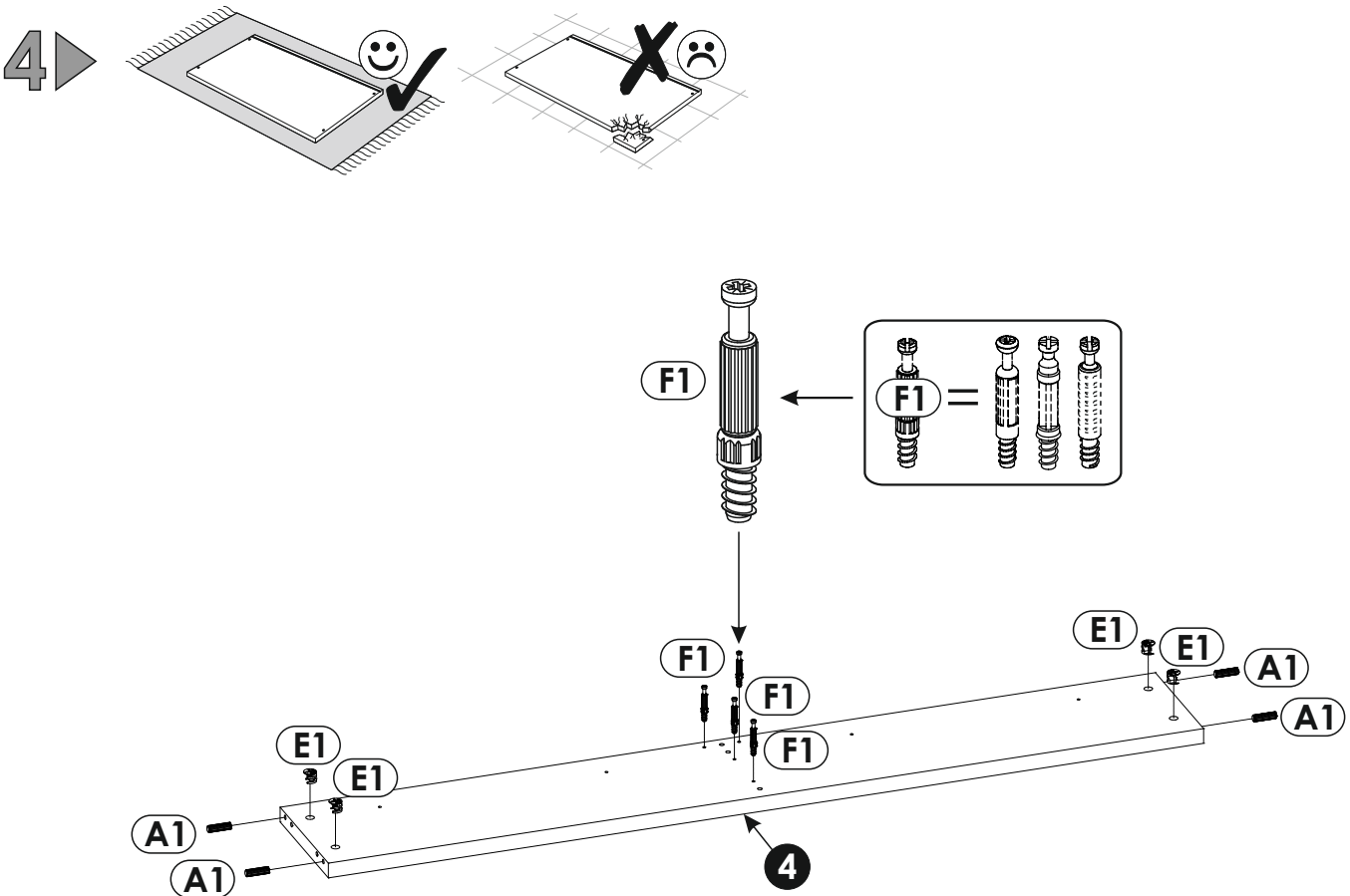
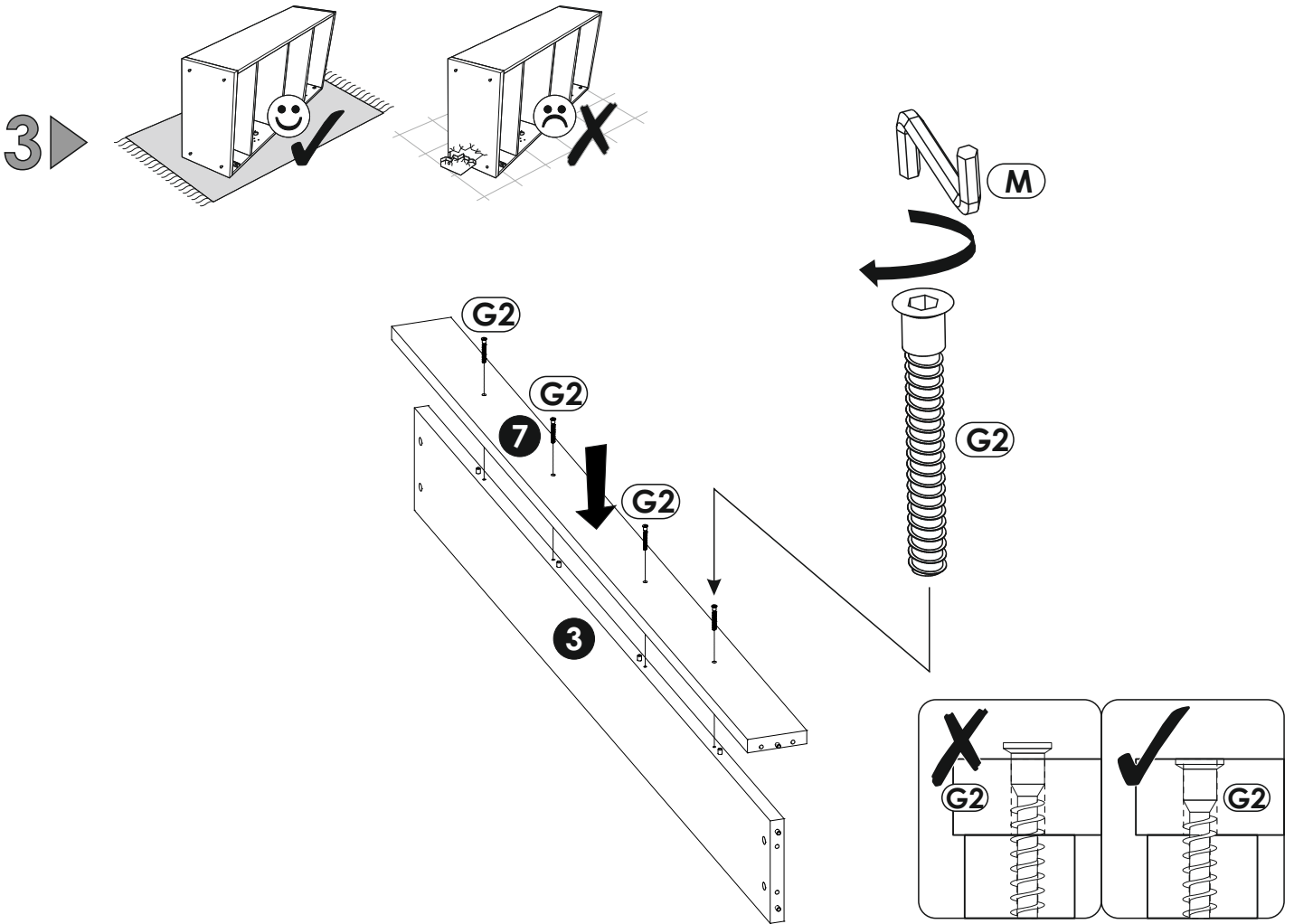
FRIZ06

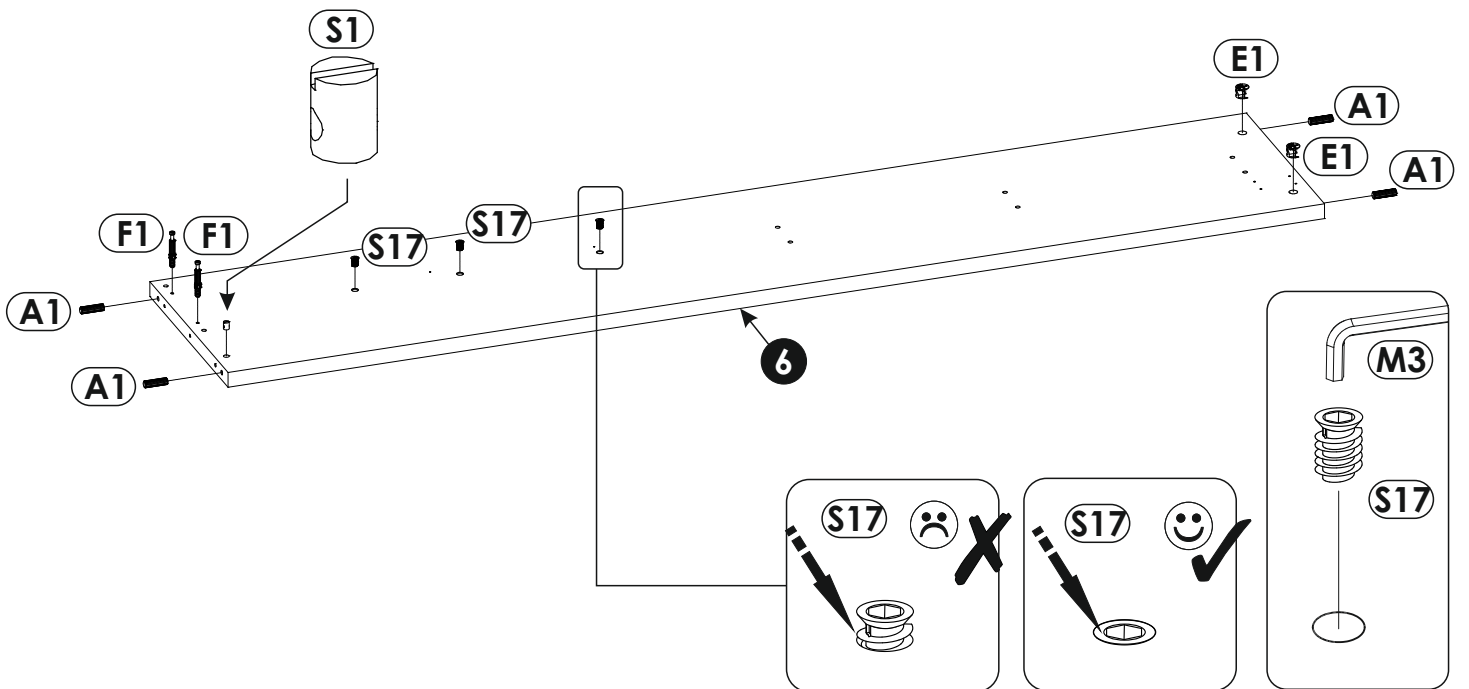
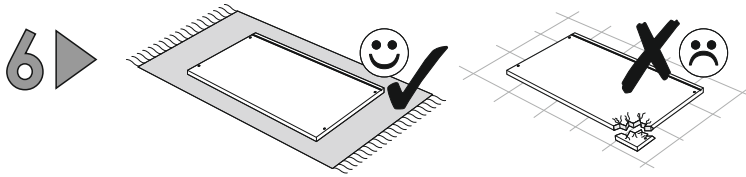
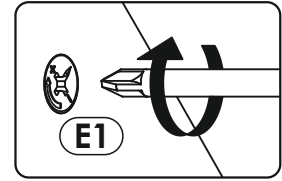
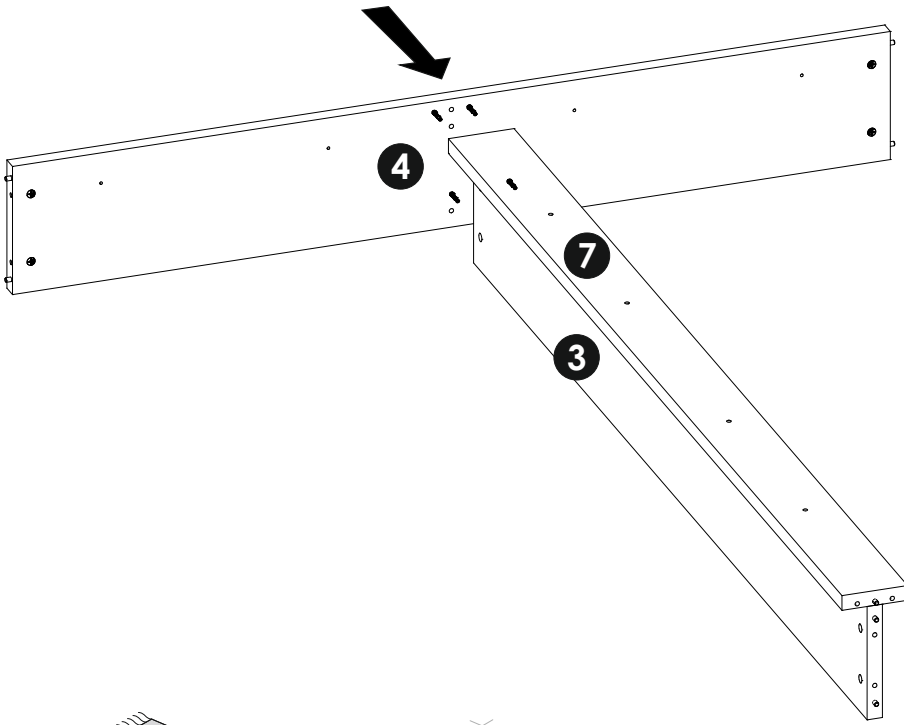
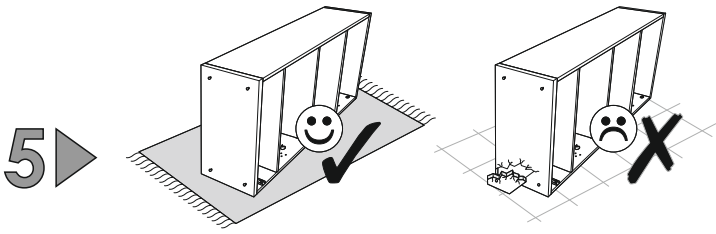


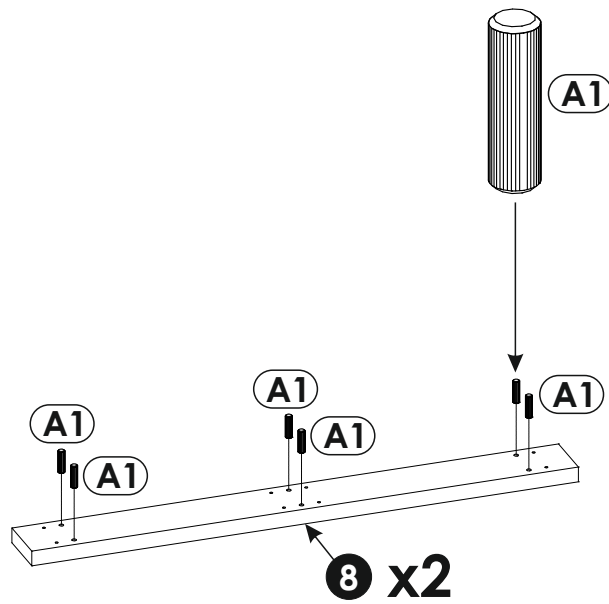
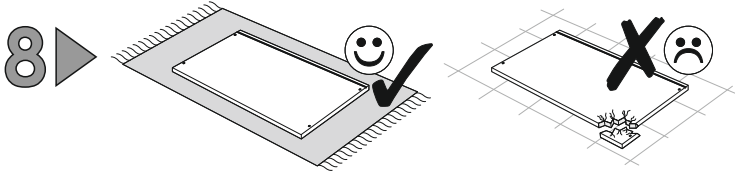
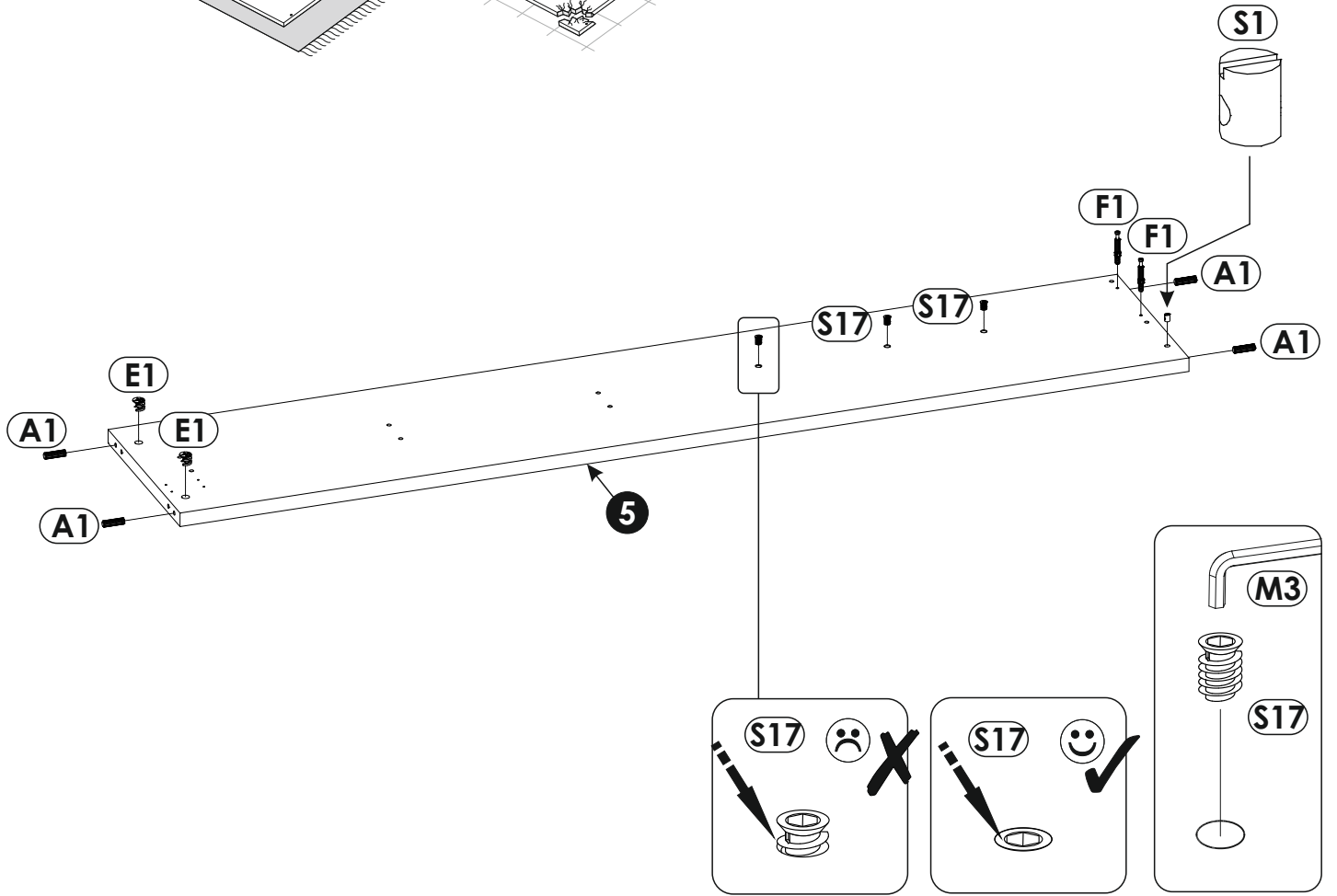
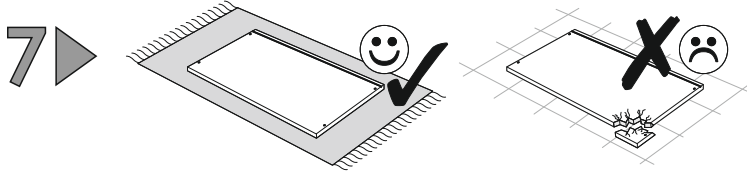
1	1666	845	28	x1	2/5
2	1666	395	28	x1	3/5
3	215	1978	28	x1	1/5
4	1606	243	28	x1	1/5
5	2006	393	28	x1	3/5

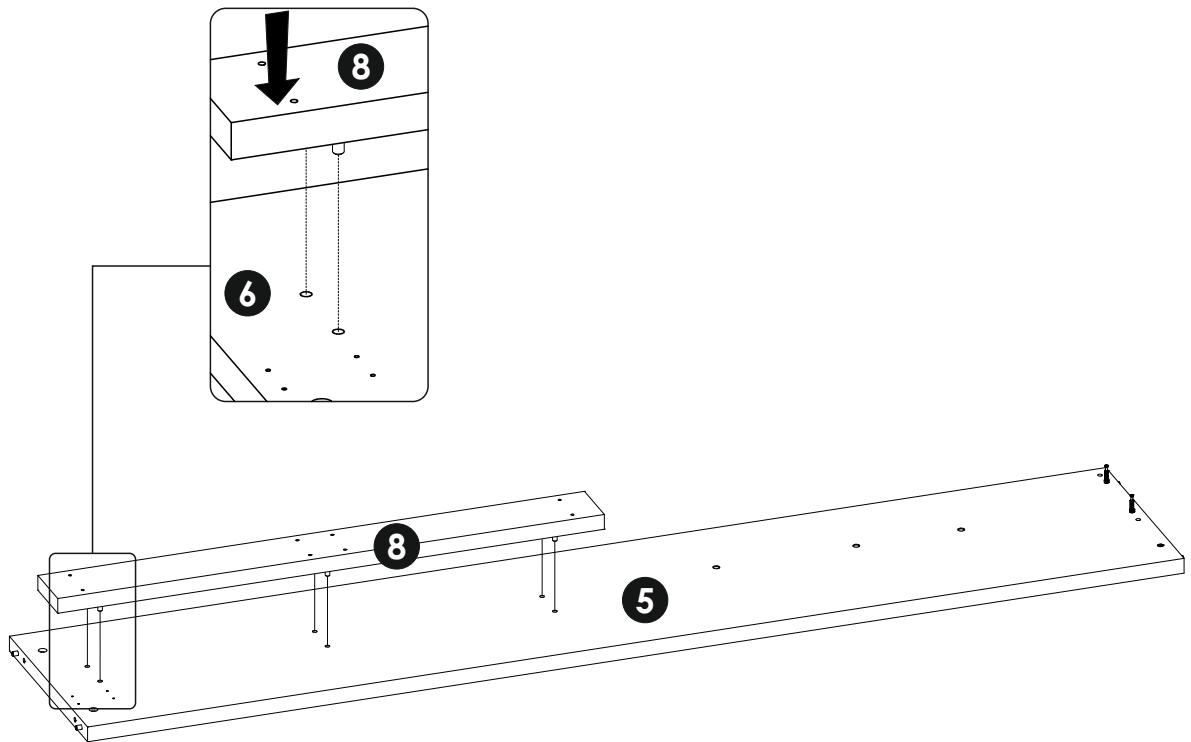
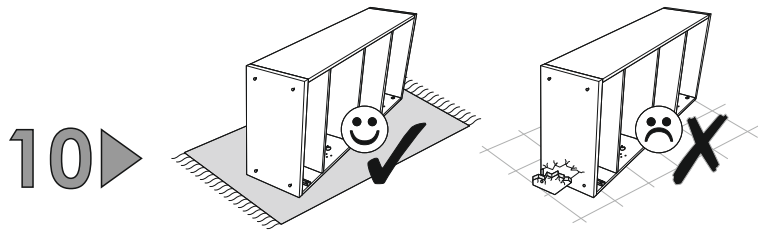
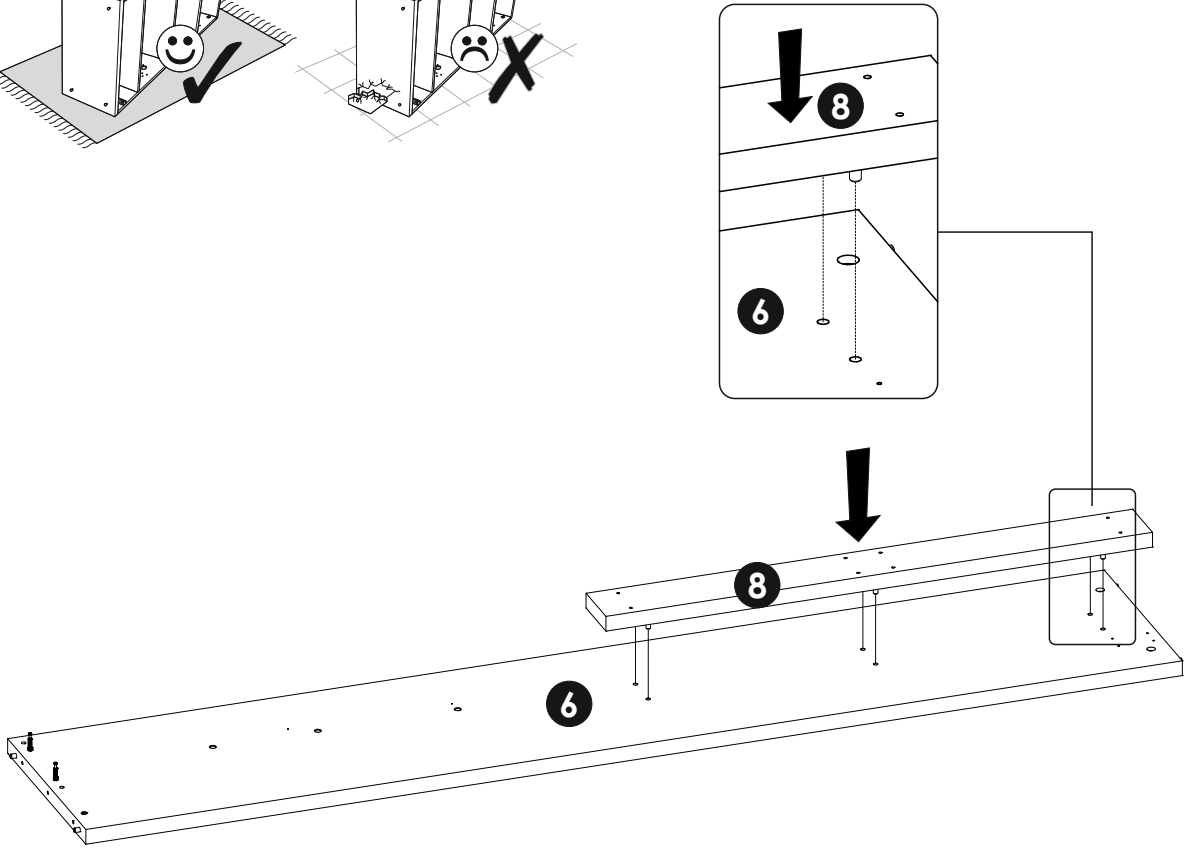
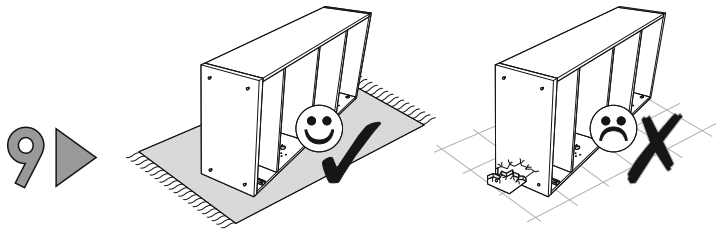
6	2006	393	28	x1	4/5
7	120	1978	28	x1	1/5
8	100	1000	28	x2	1/5
9	550	45	3	x2	1/5
10	2054	828	3	x2	4/5



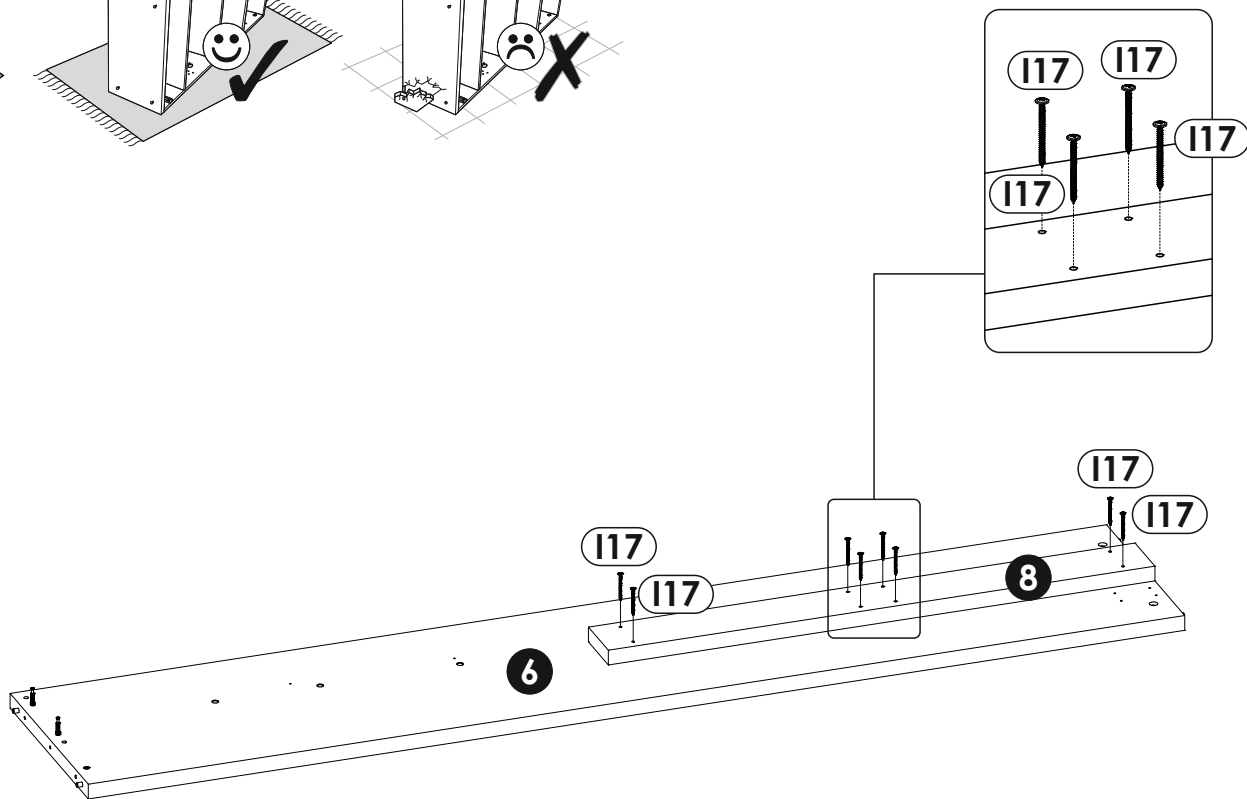
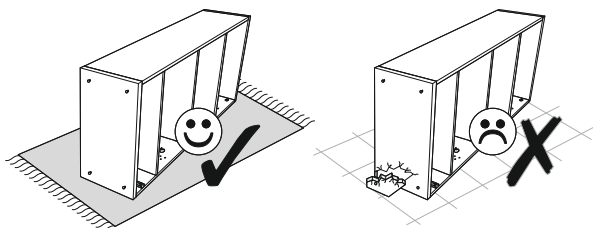




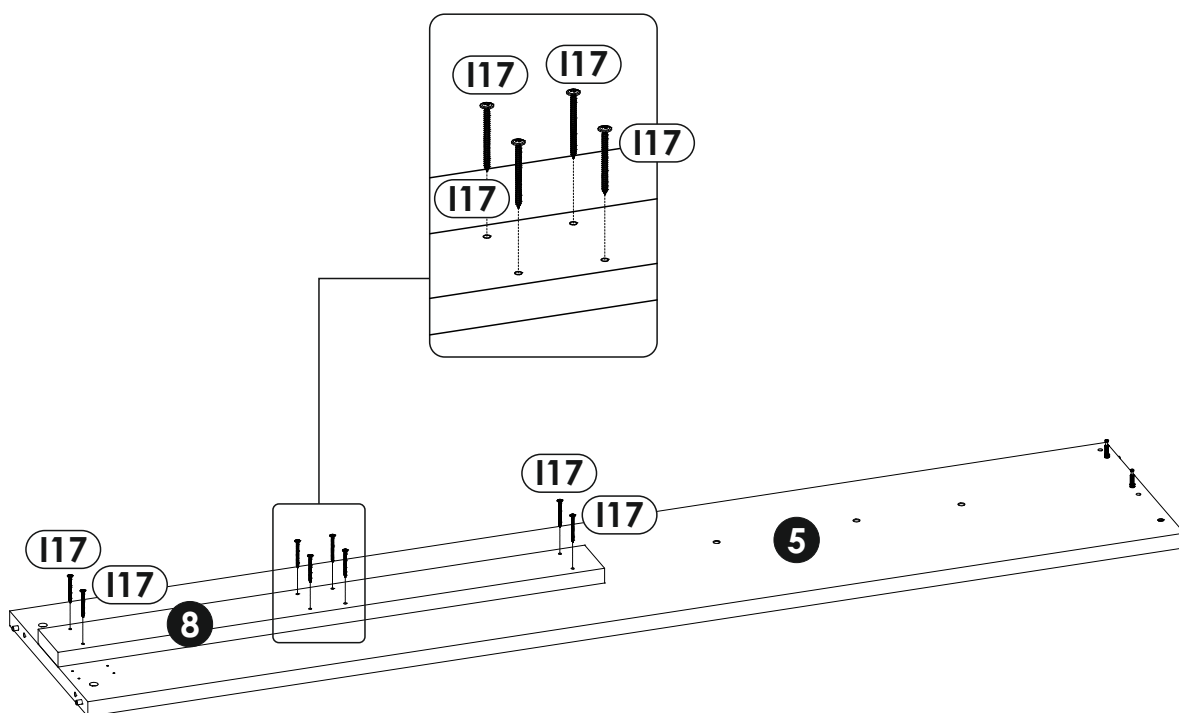
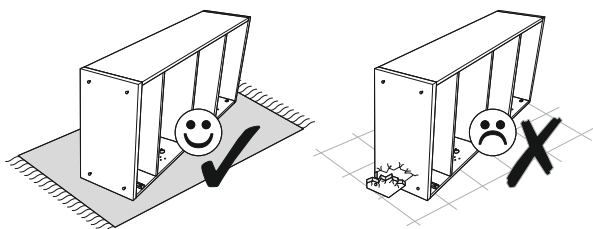




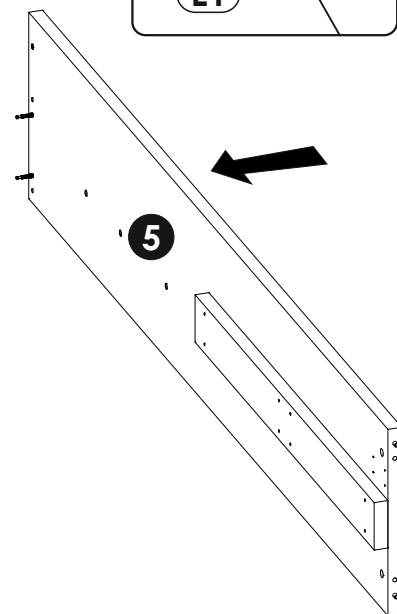
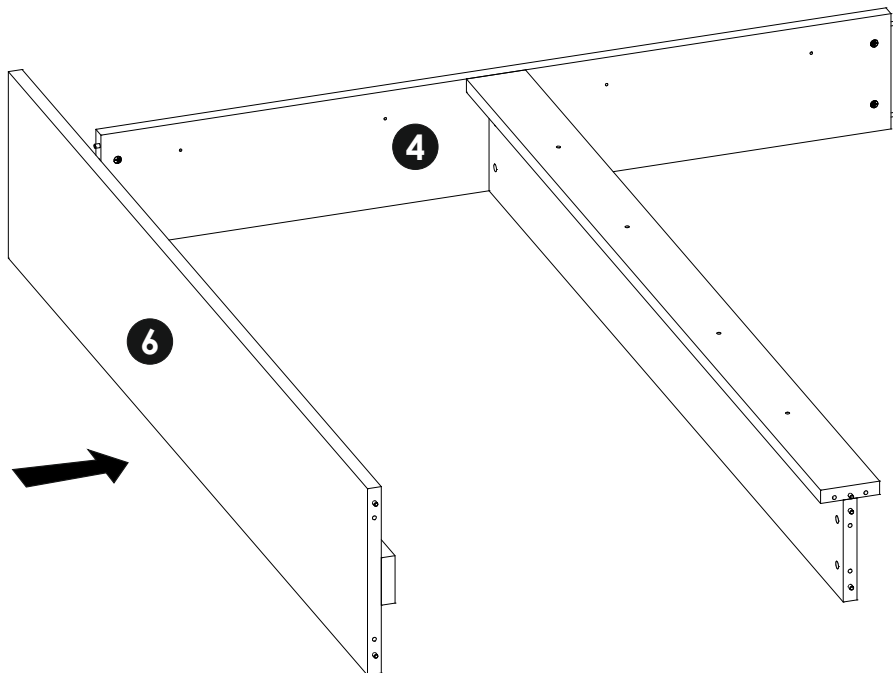
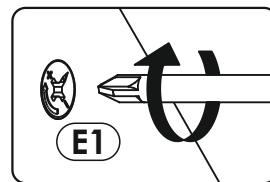
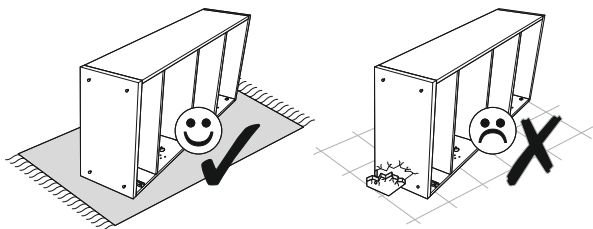
11 ▶



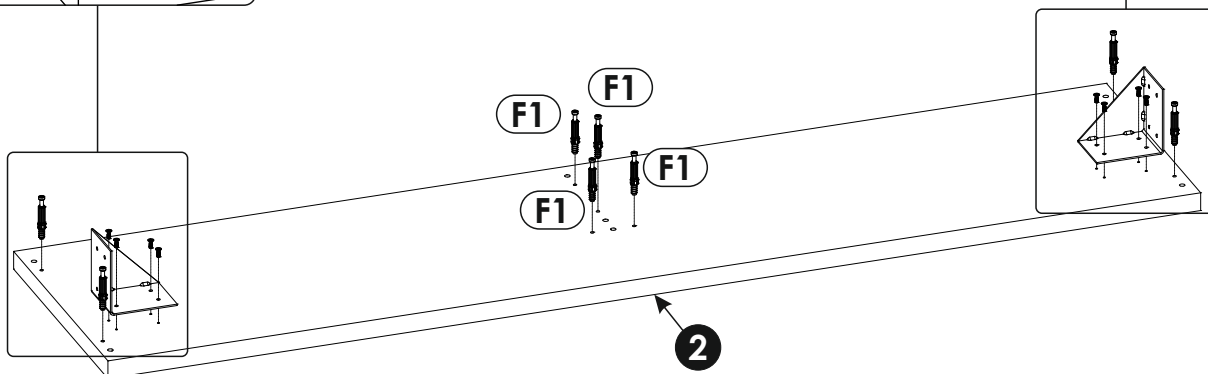
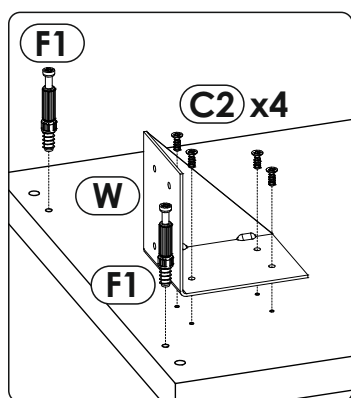
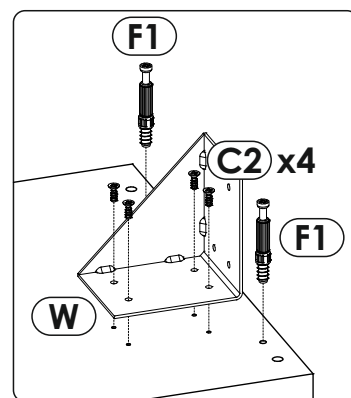
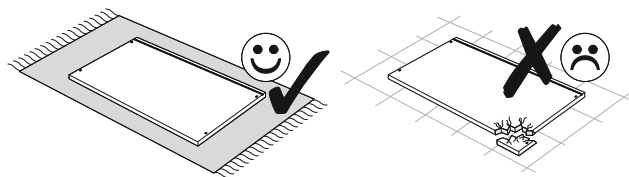
12 ▶



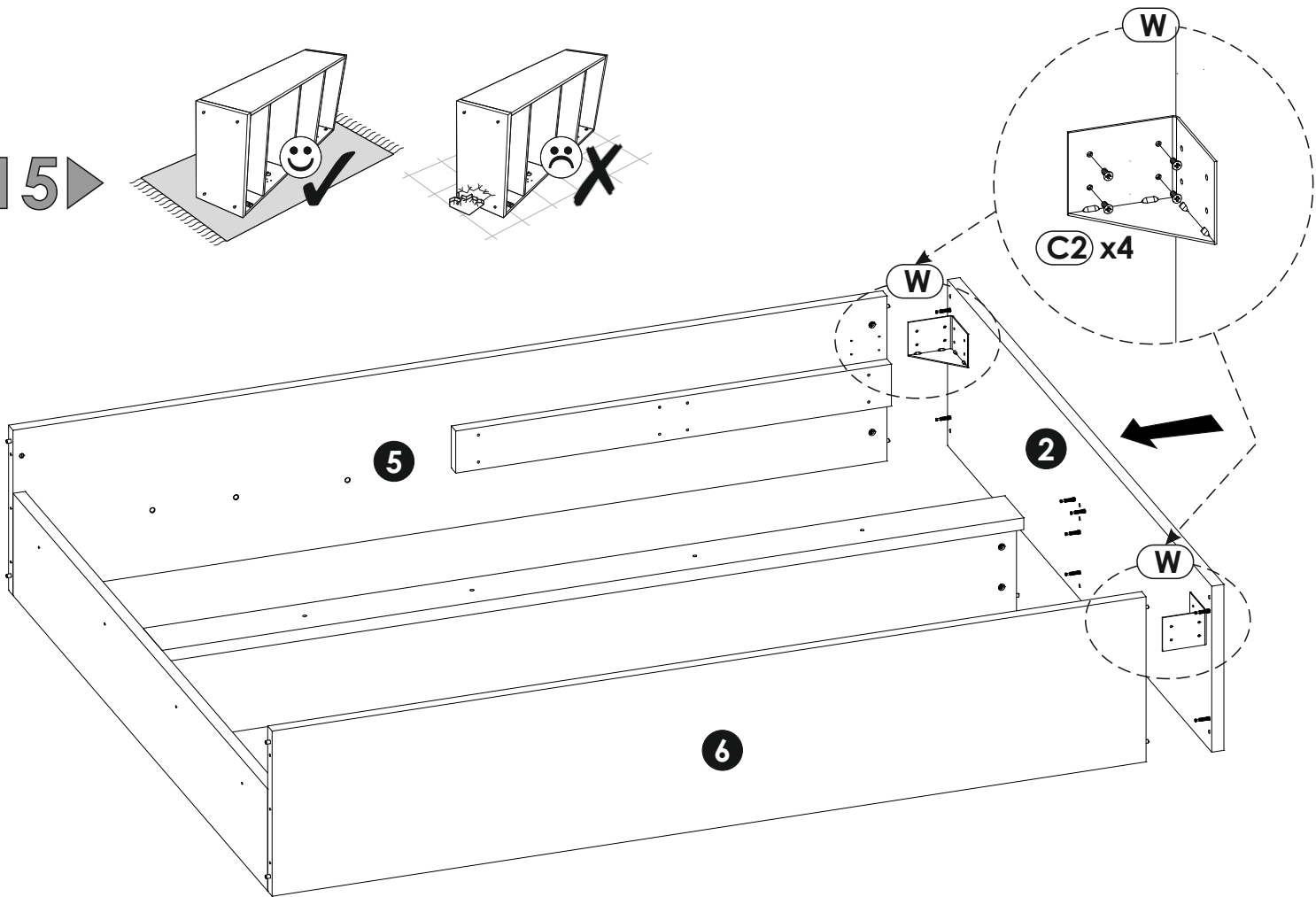
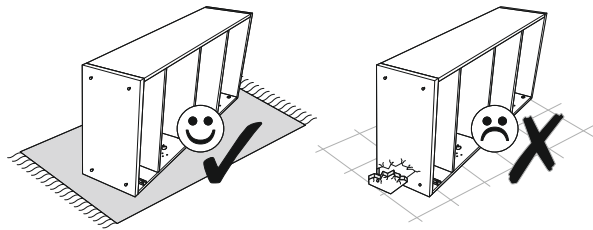
13▶



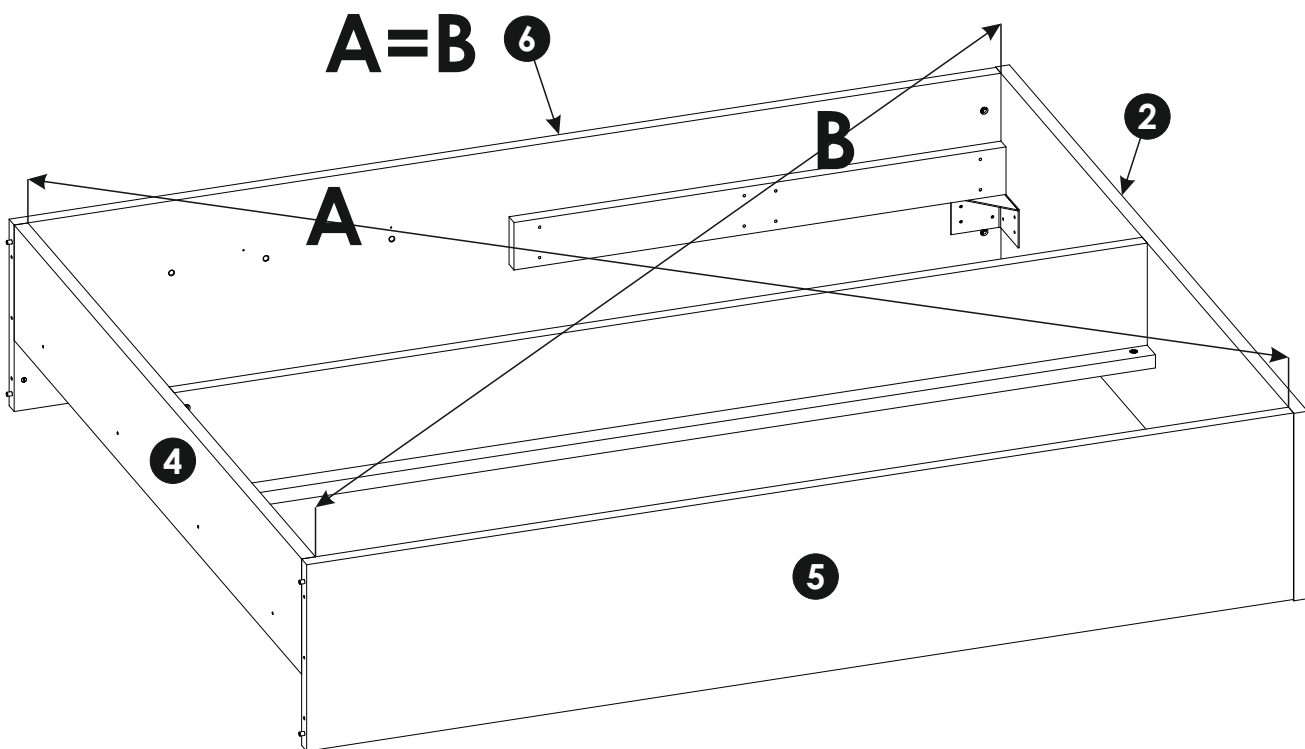
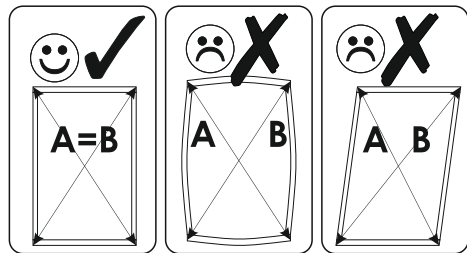
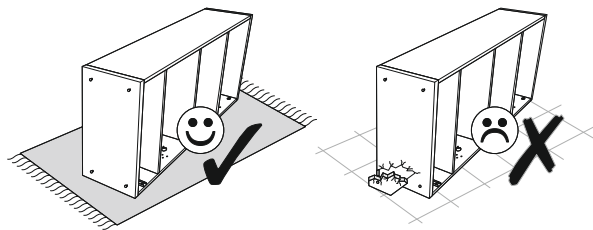
14▶

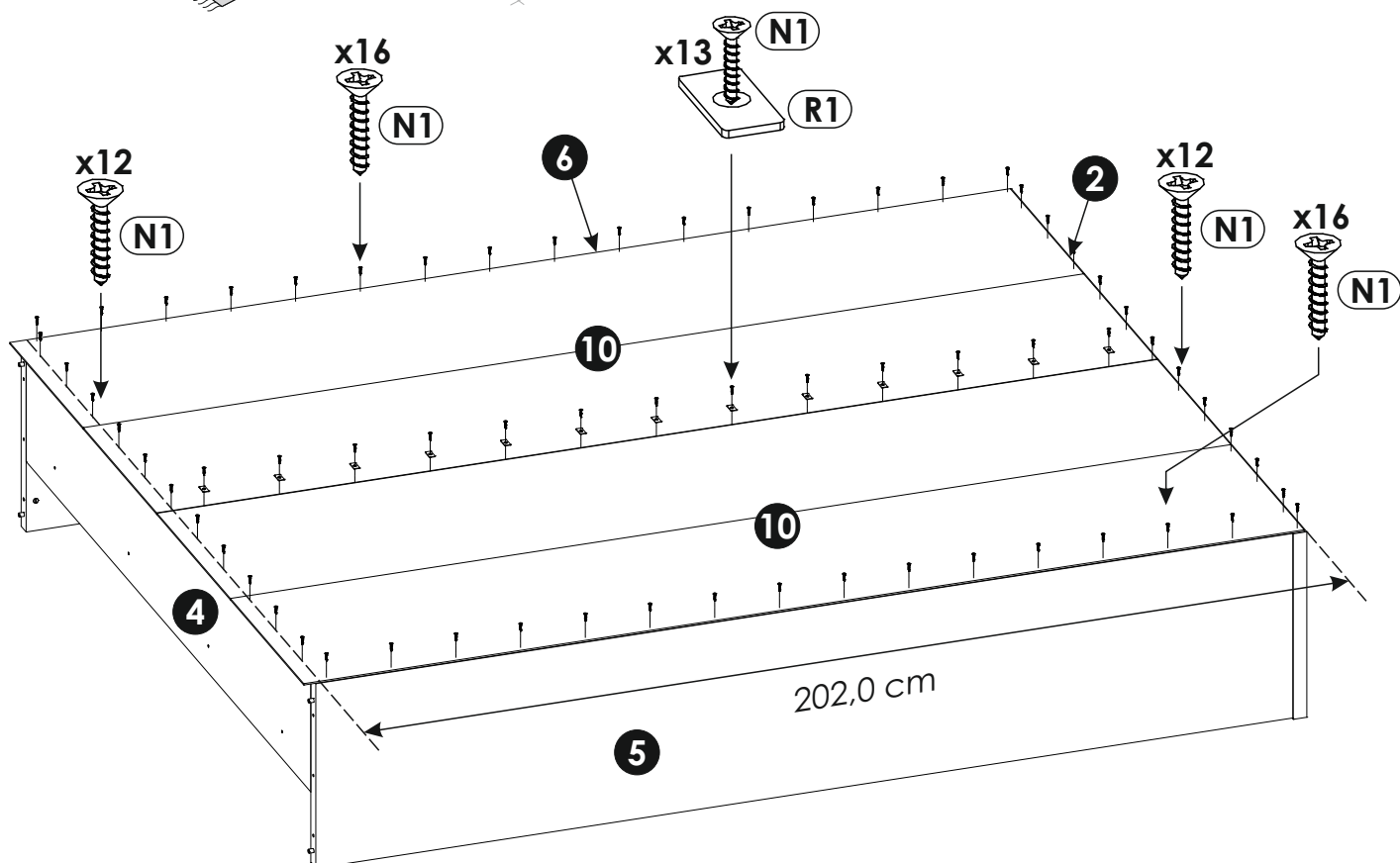
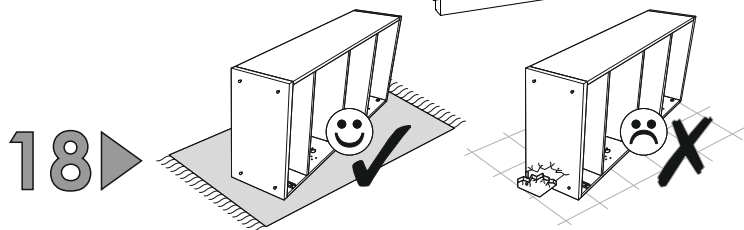
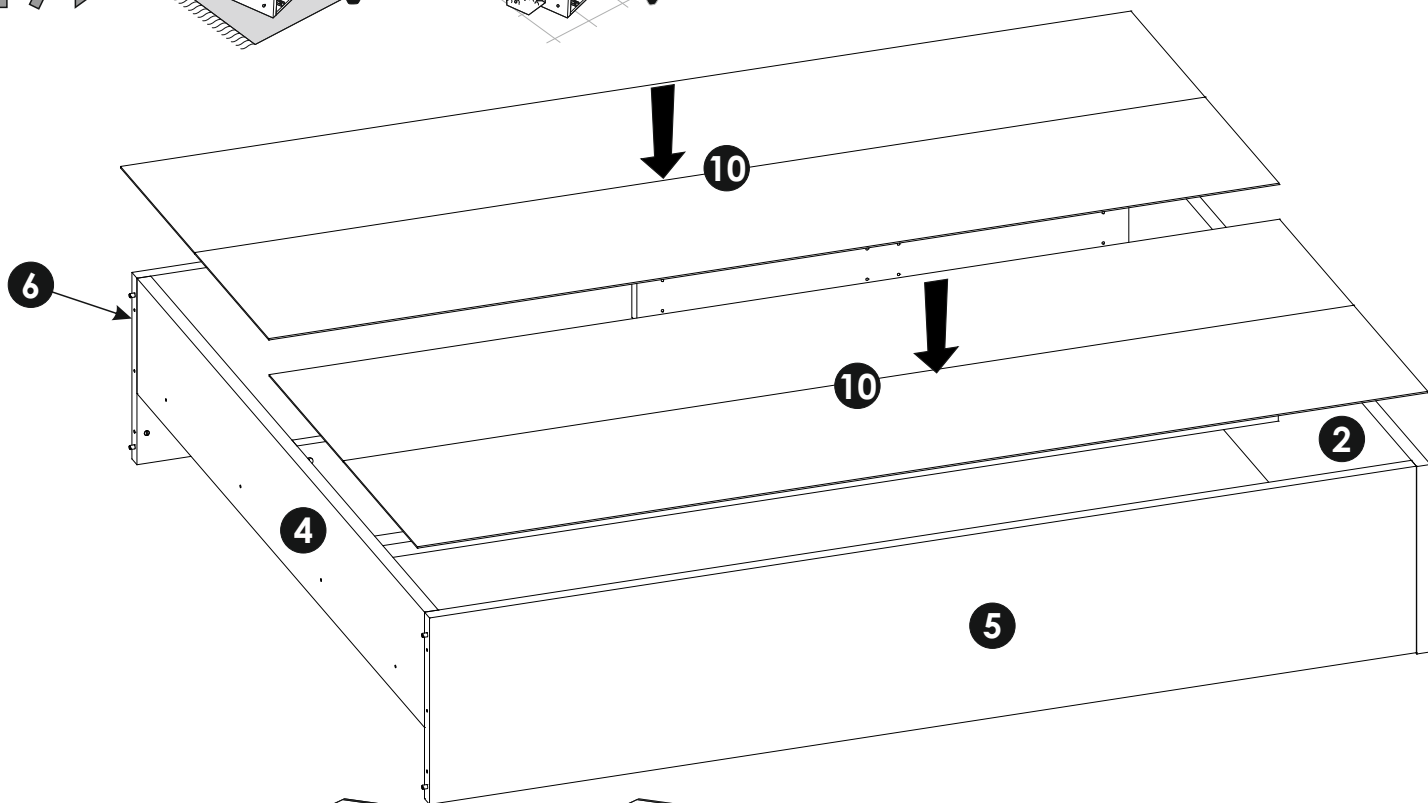
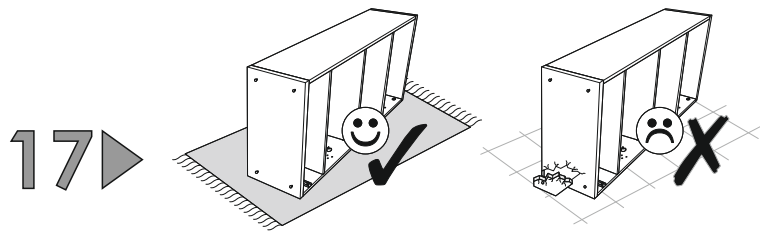


15 ▶

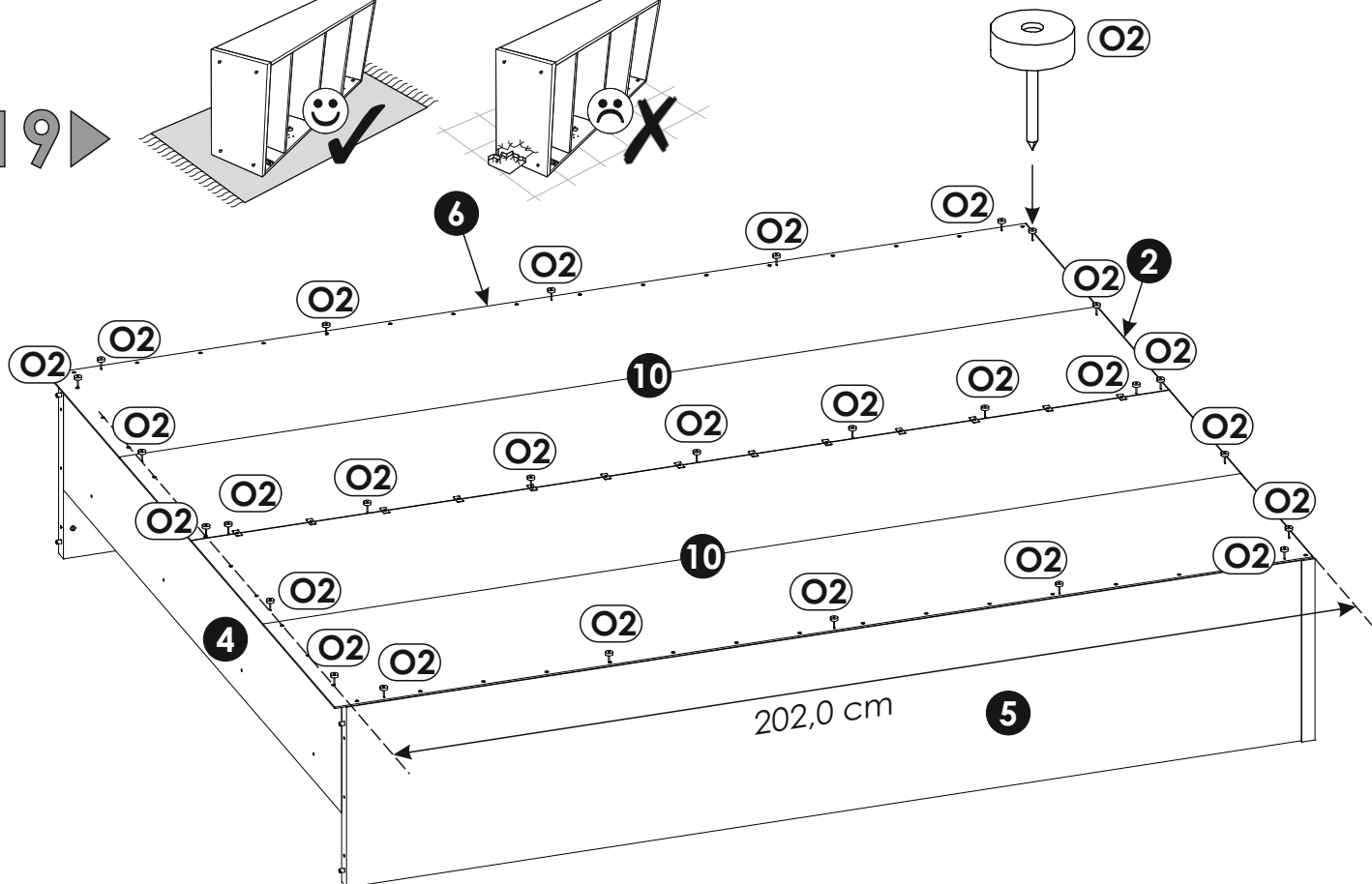
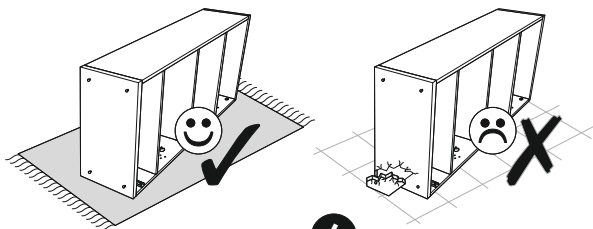


16 ▶

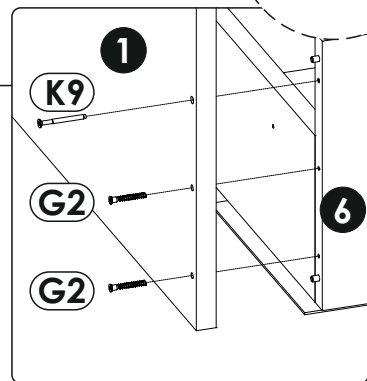
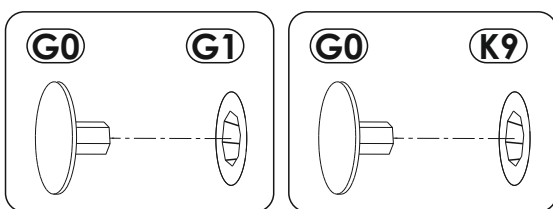
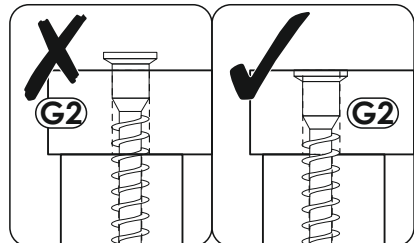
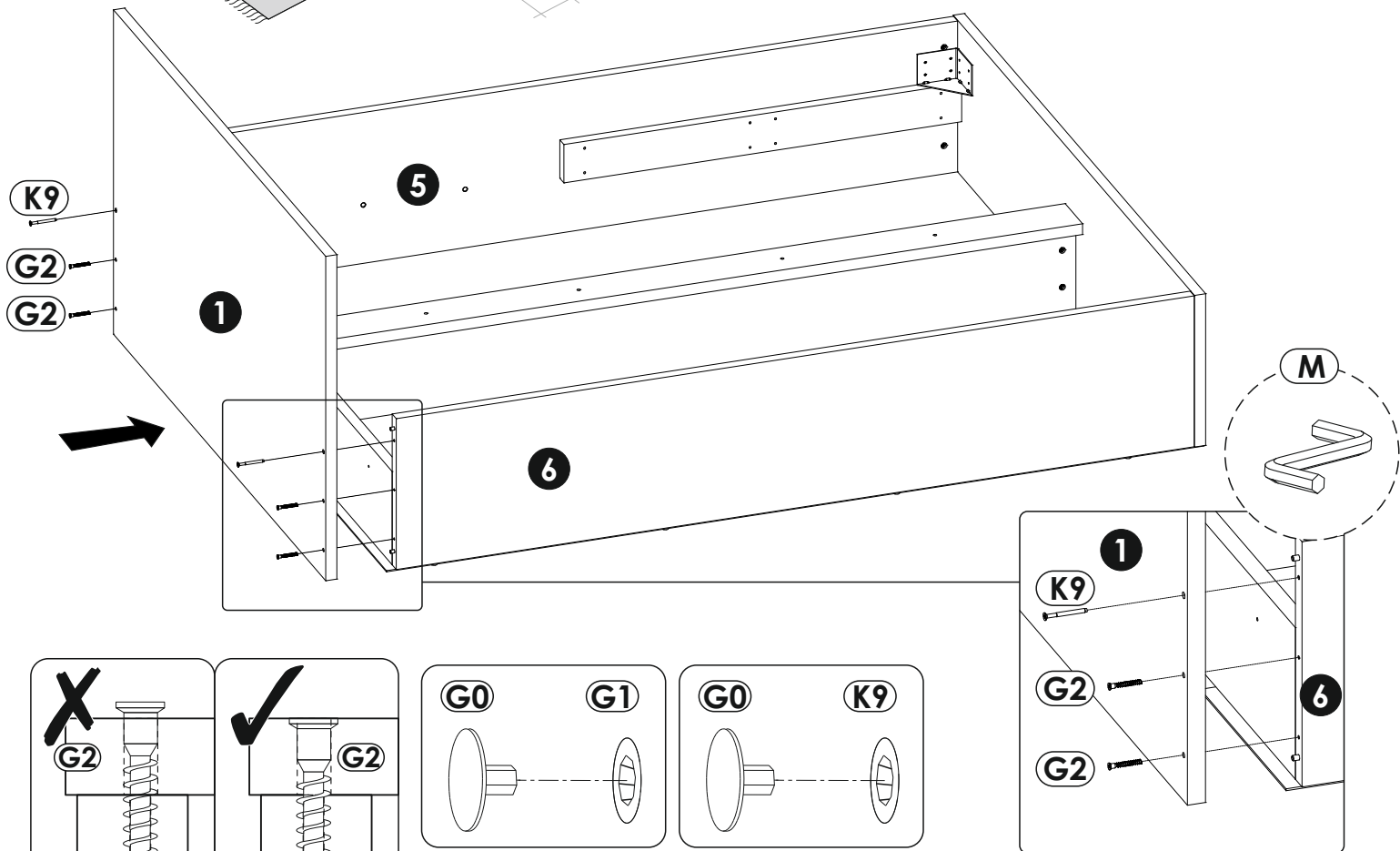
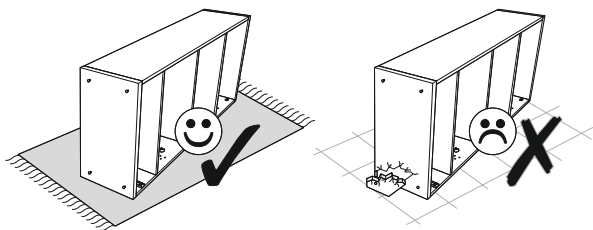




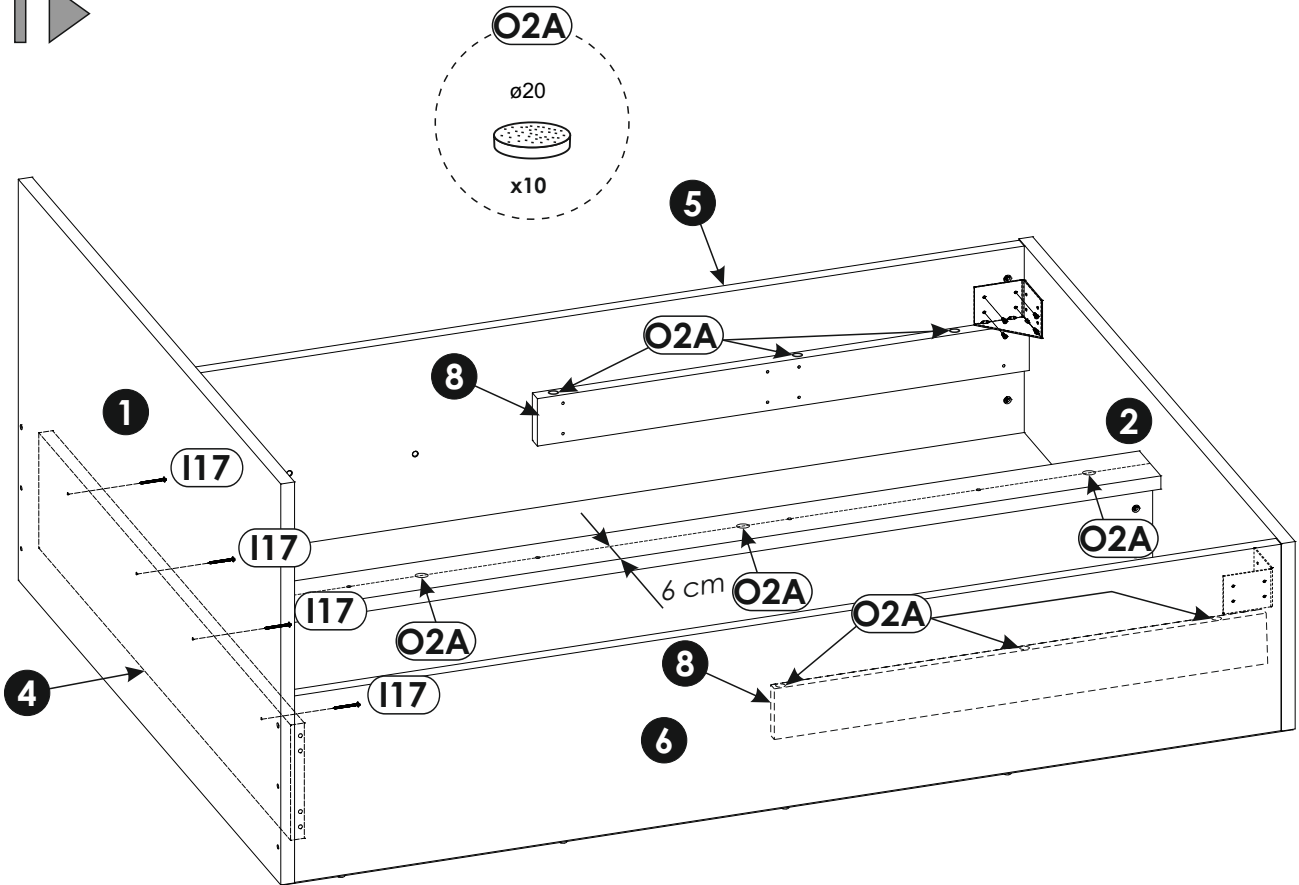
19 ▶



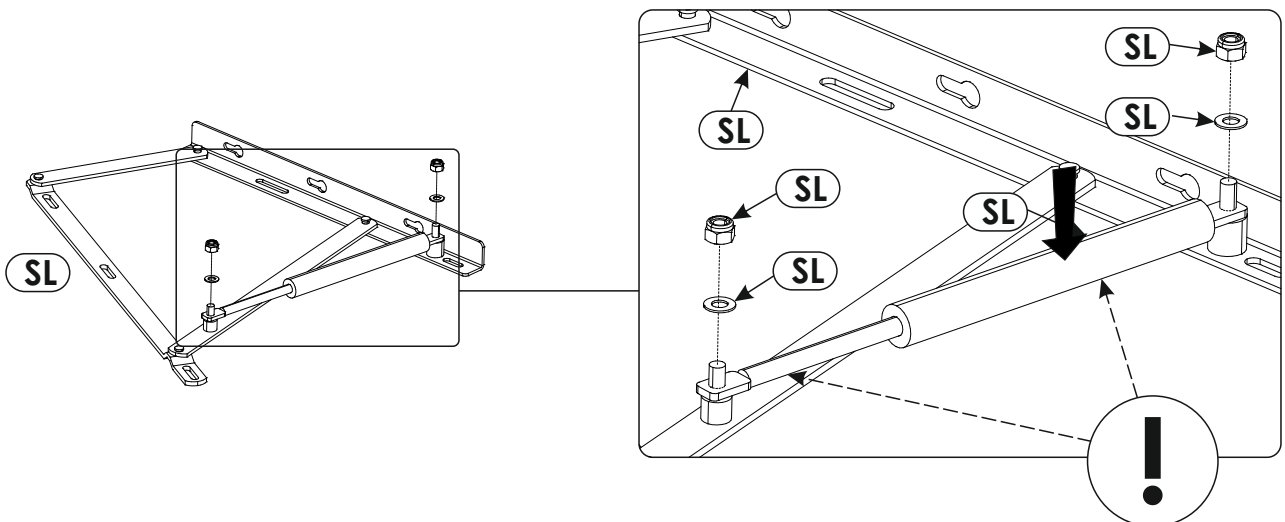
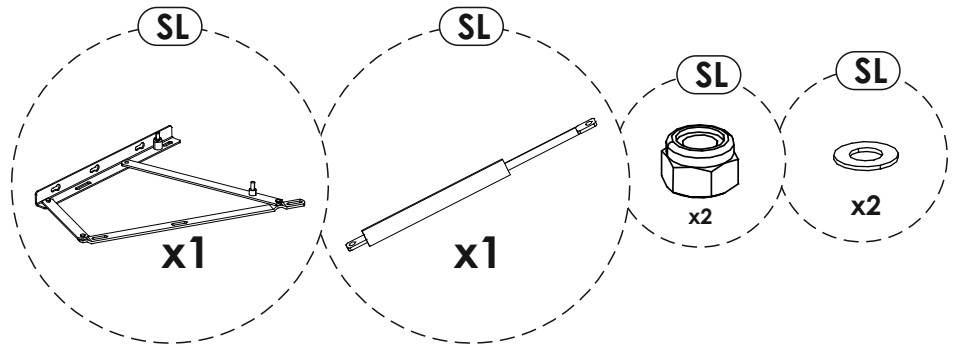
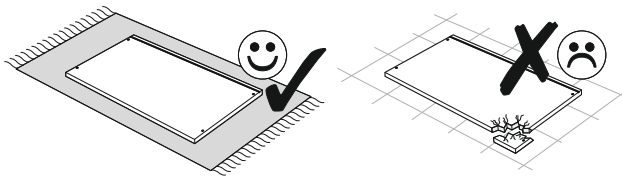
20 ▶

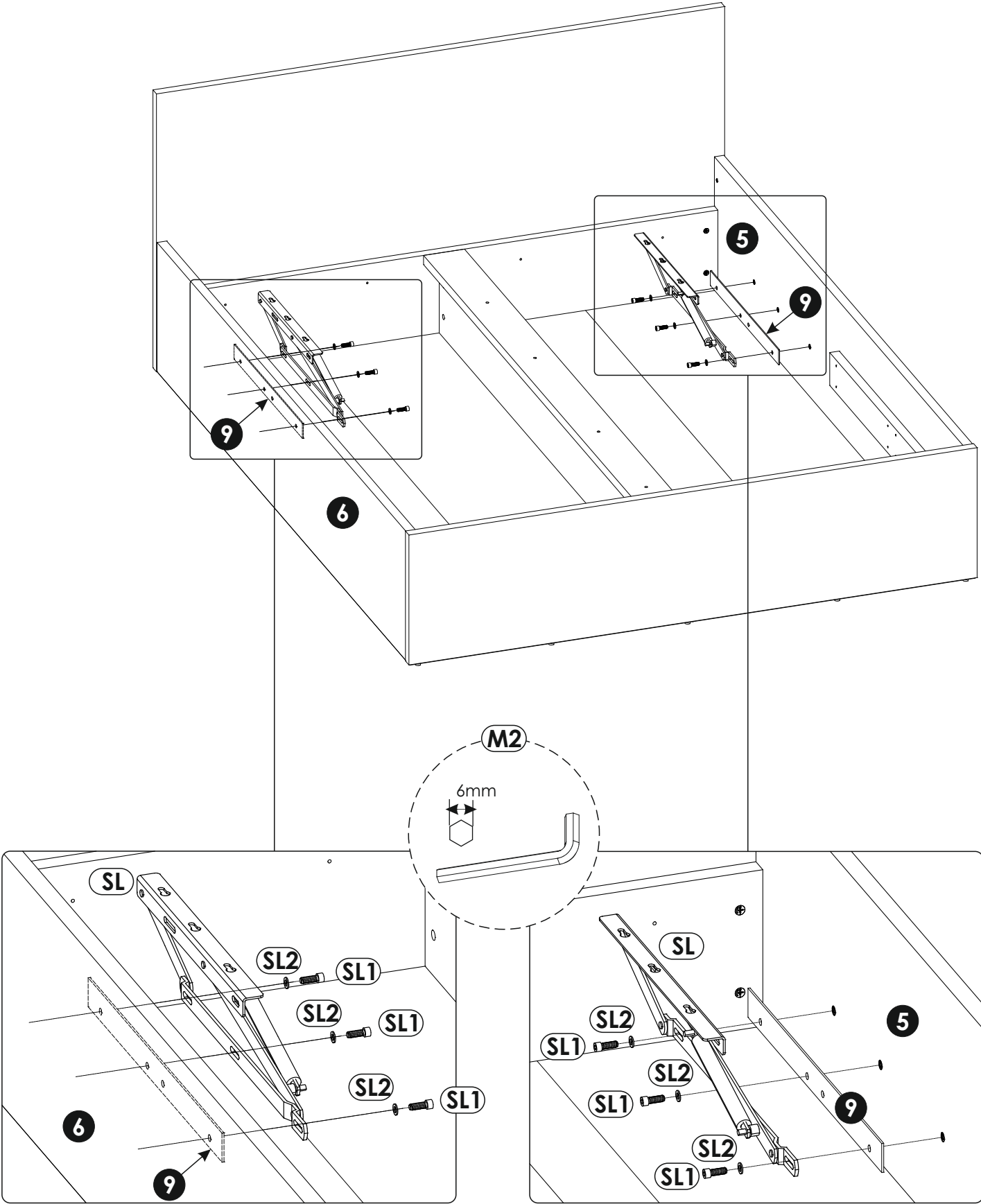


21 ▶

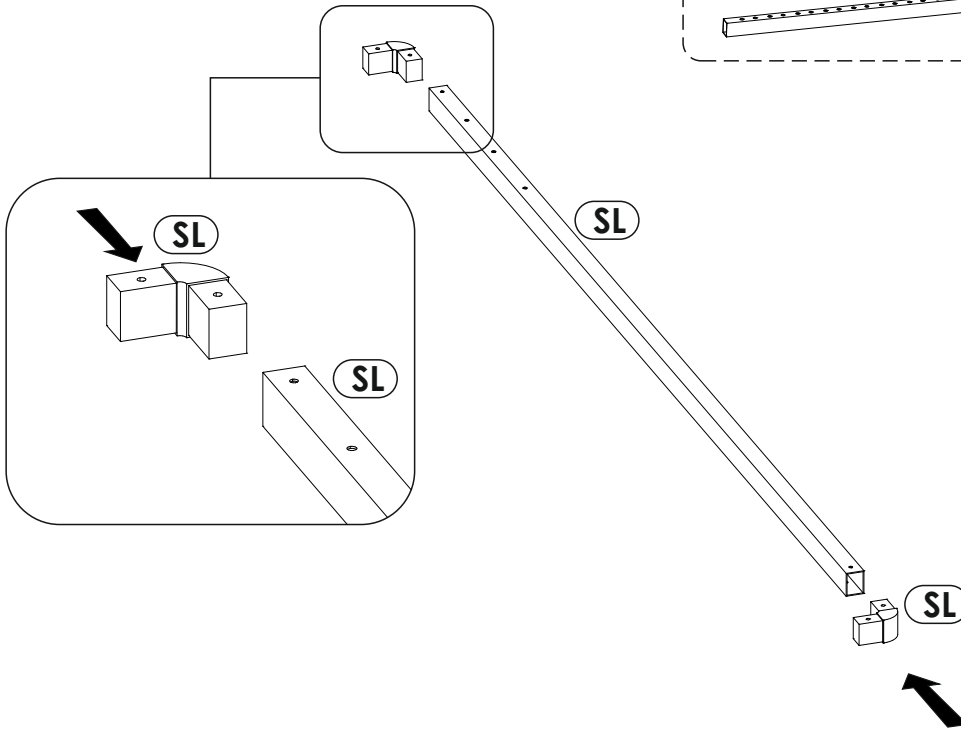
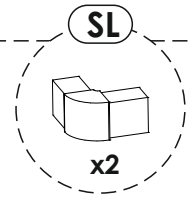
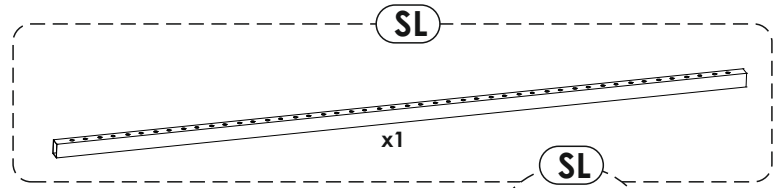
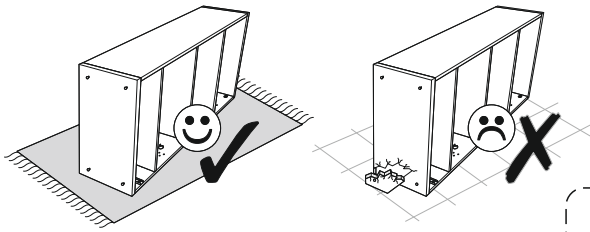


22 ▶

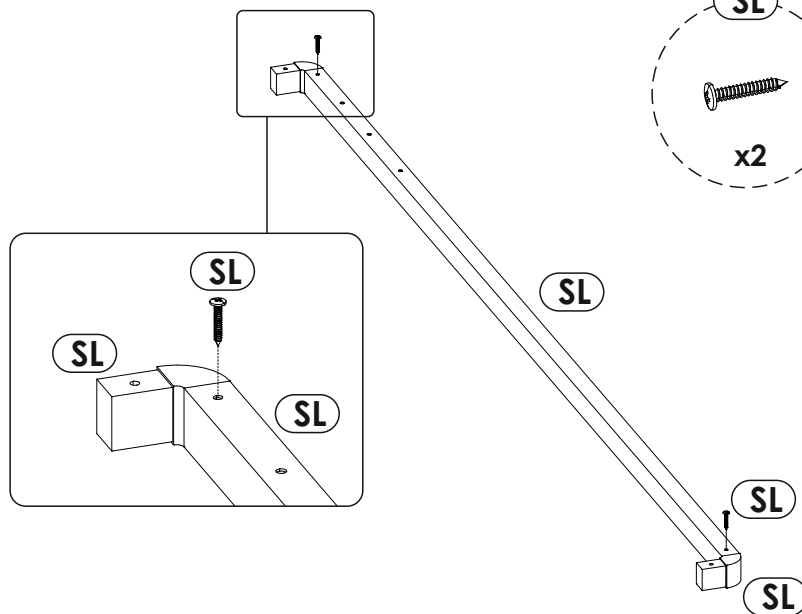
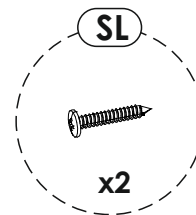
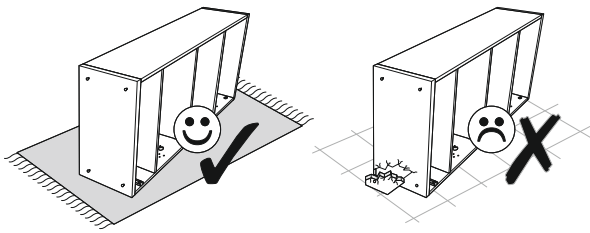




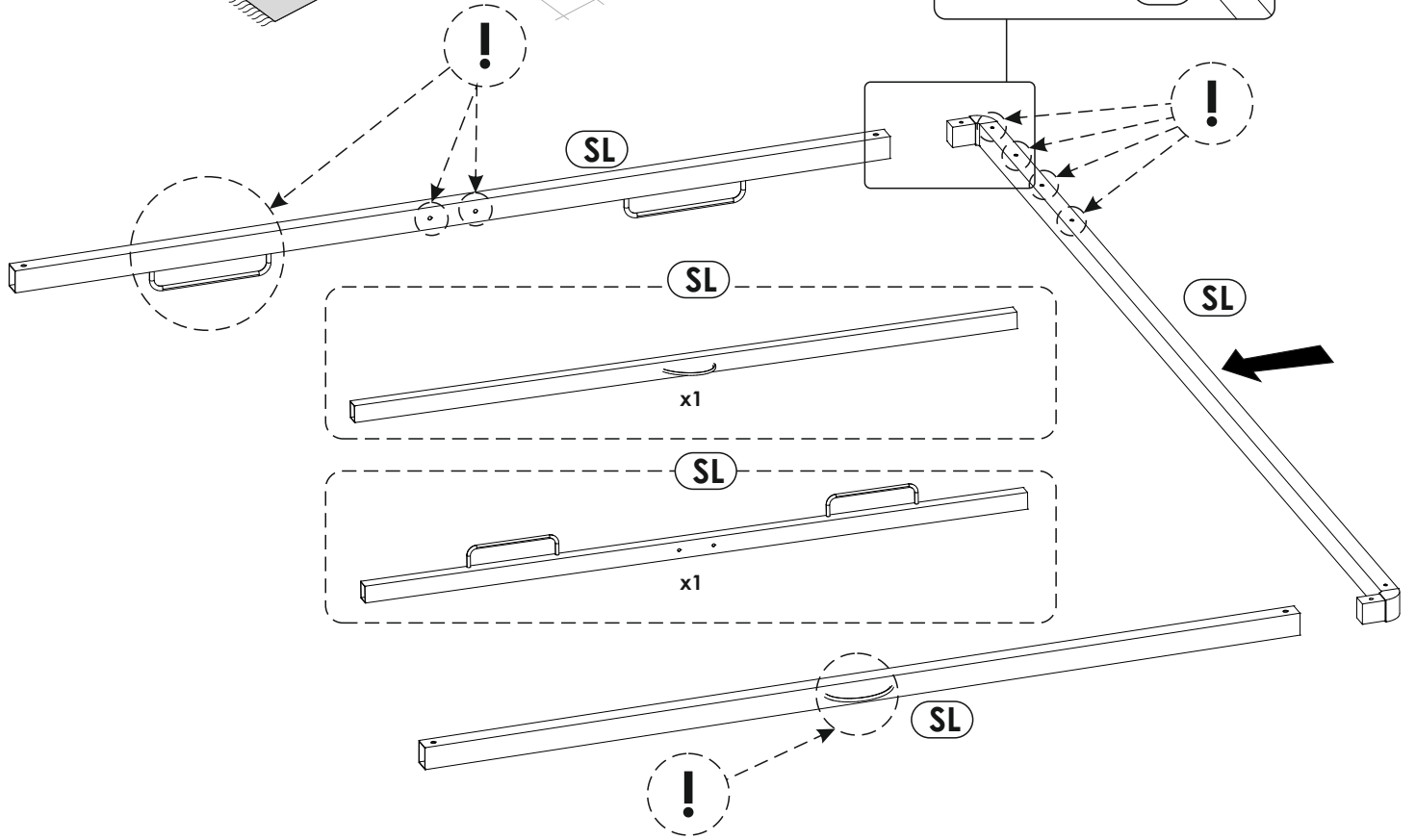
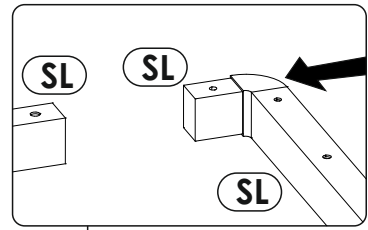
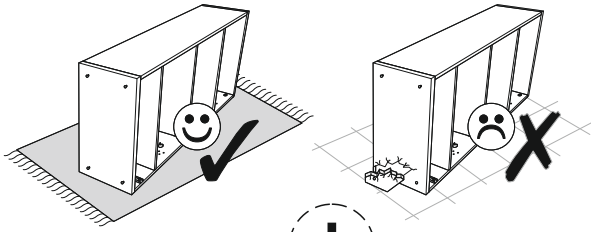
24 ▶



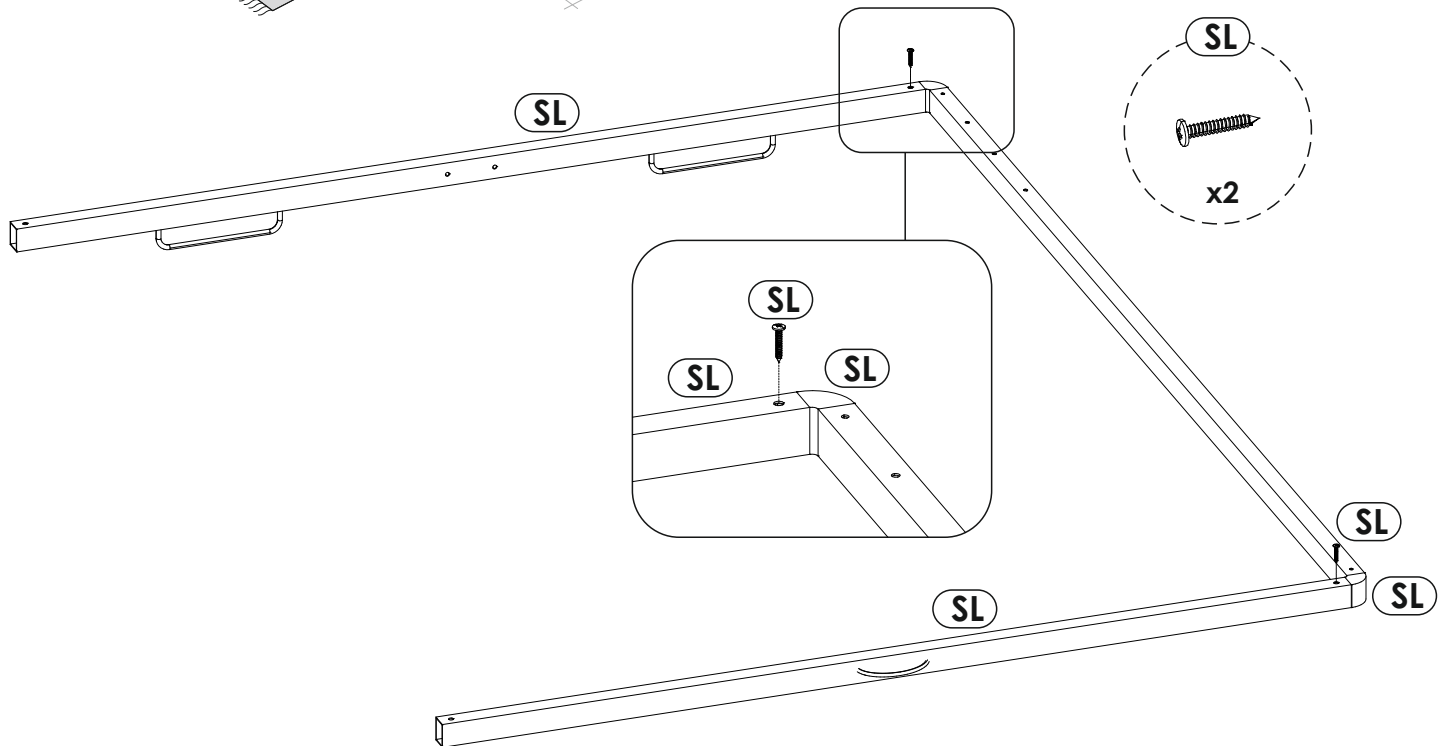
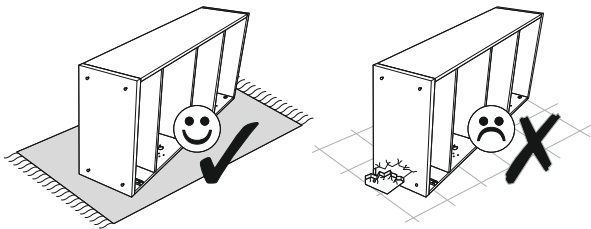
25 ▶

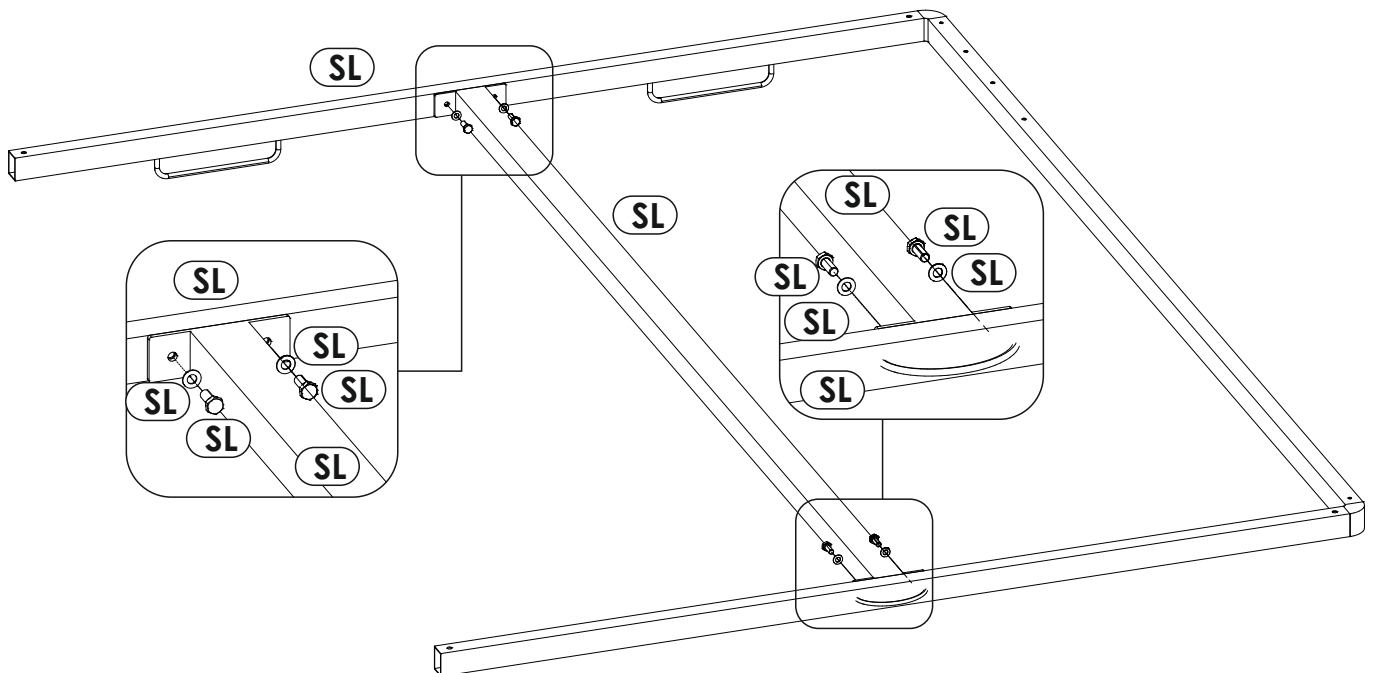
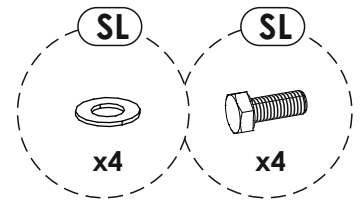
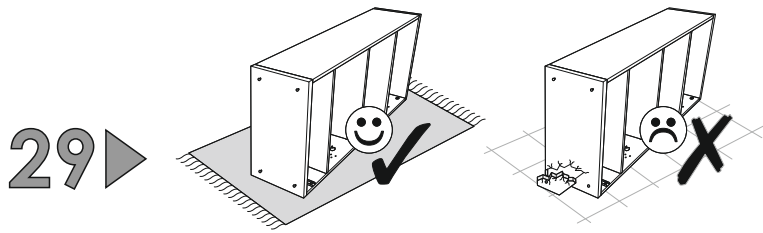
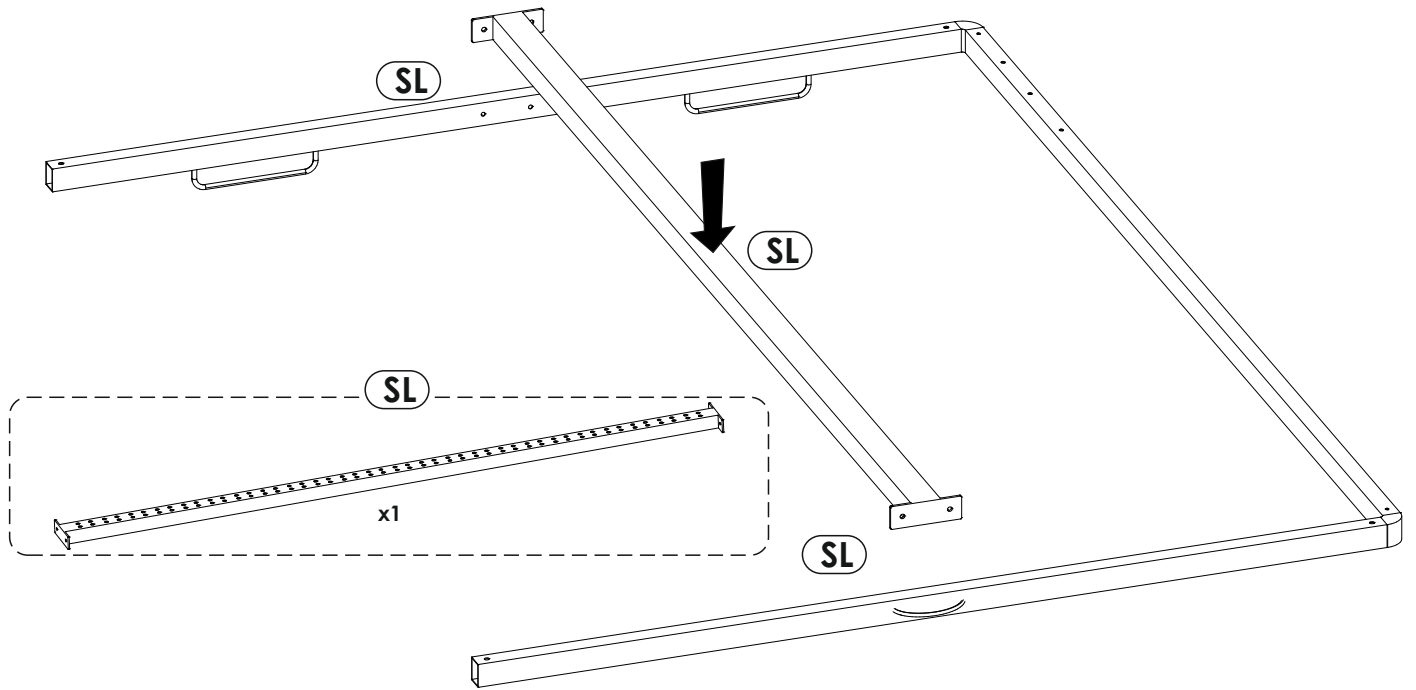
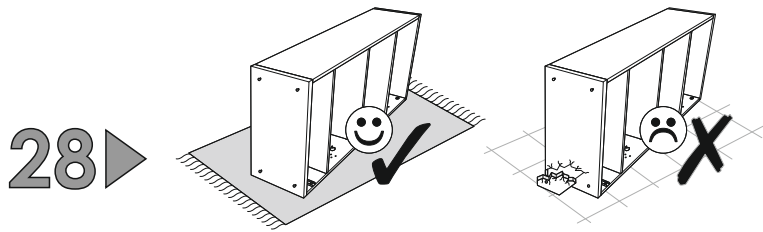


26 ▶

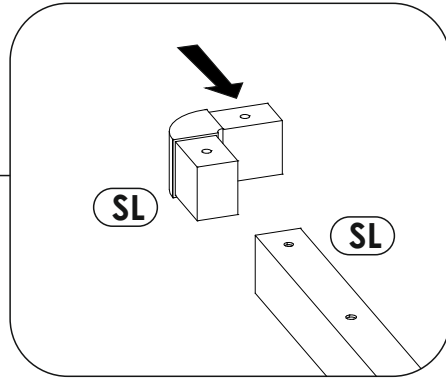
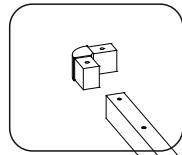
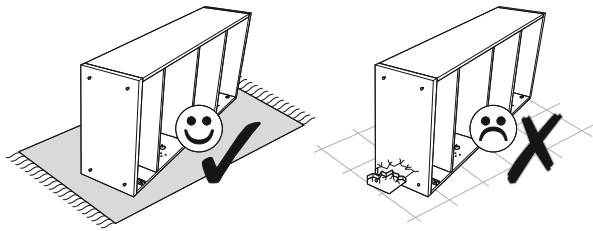


27 ▶

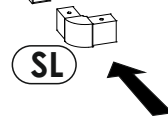
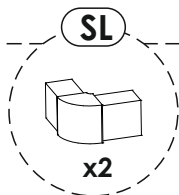
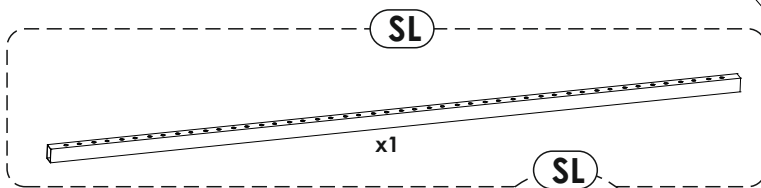




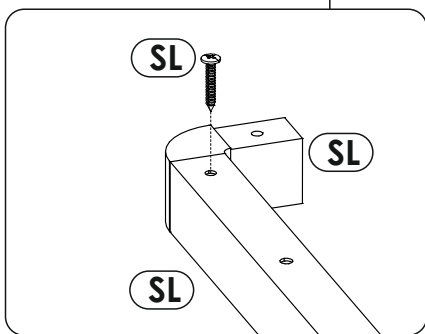
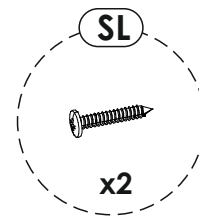
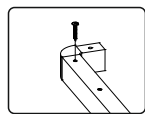
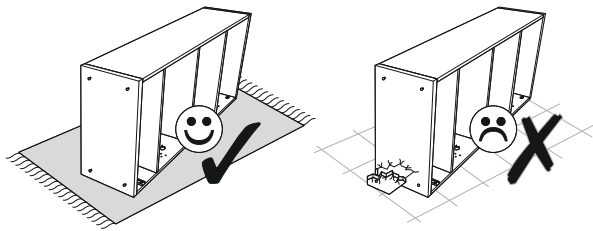
30 ▶▶



SL



31 ▶▶

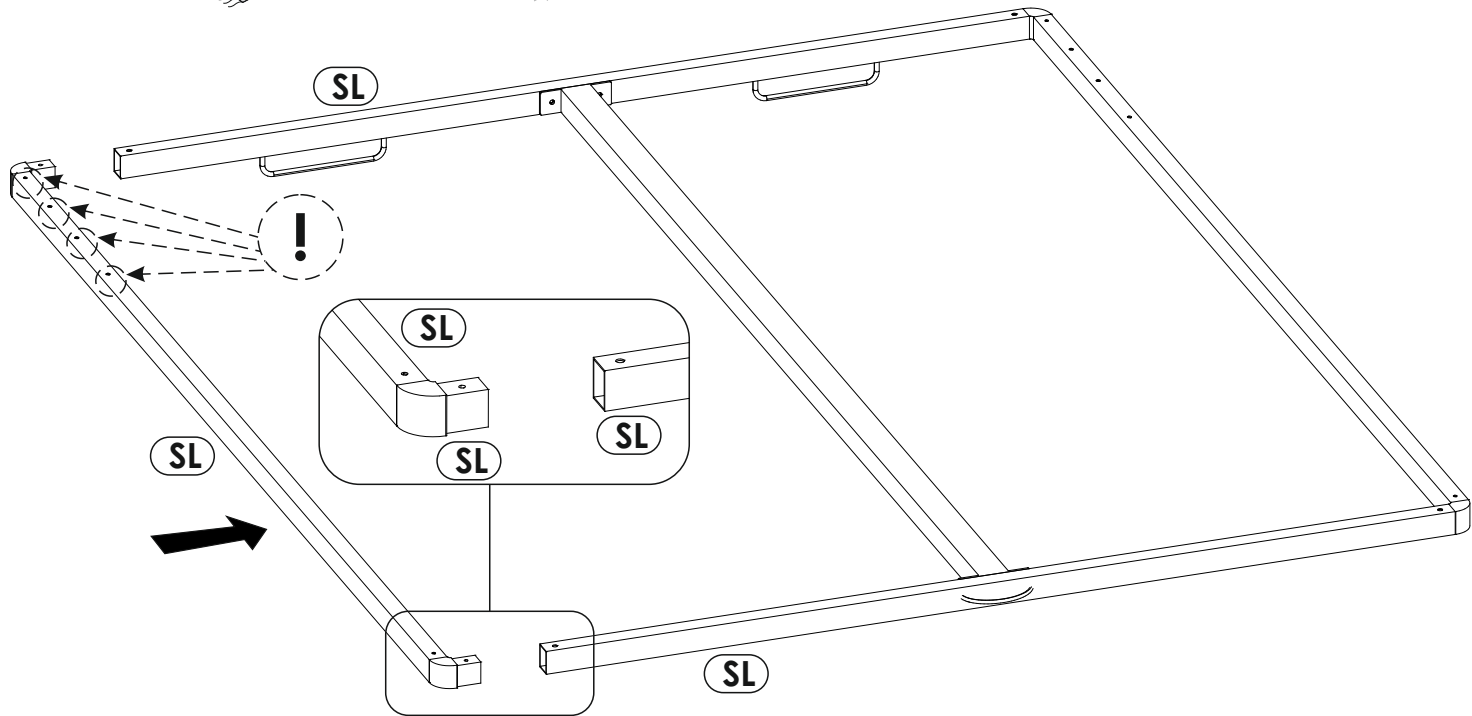
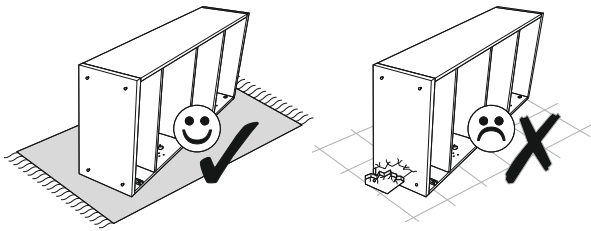


SL

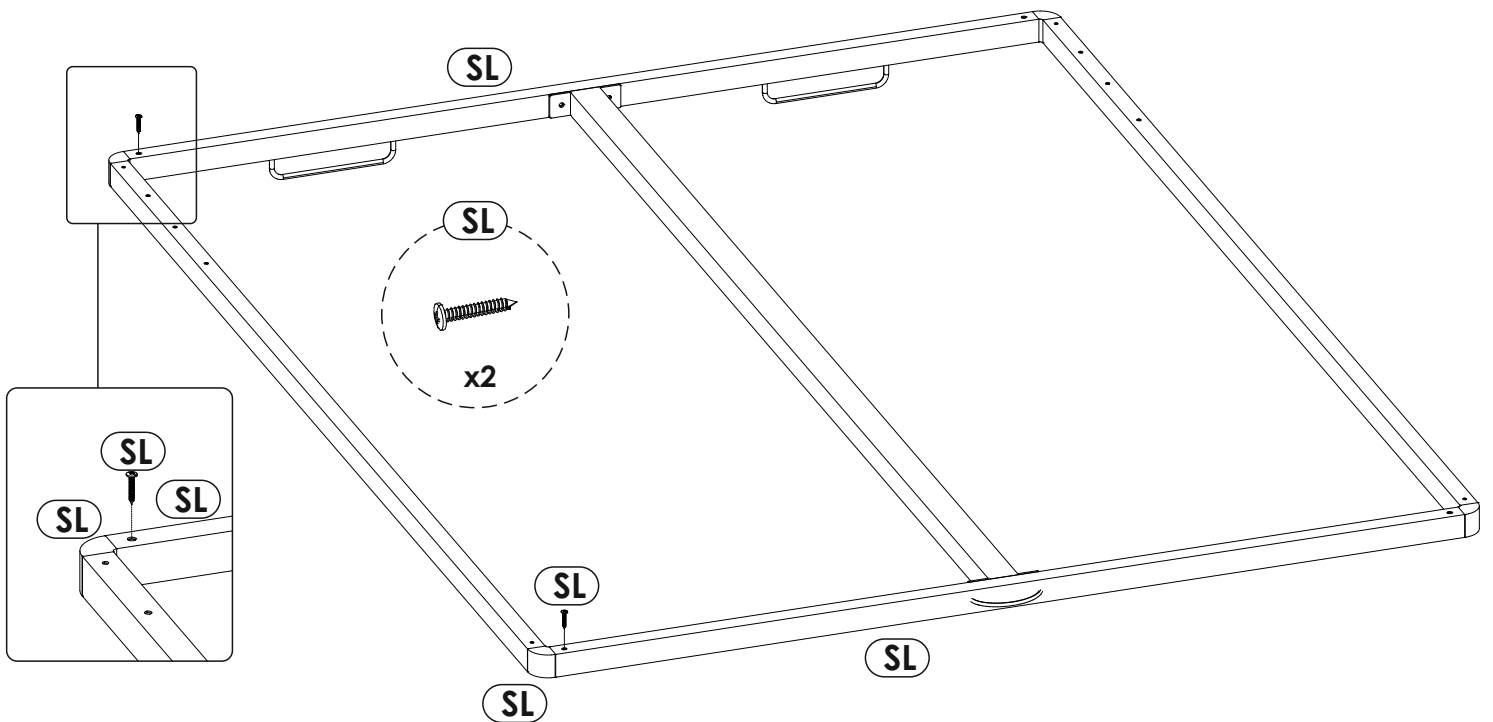
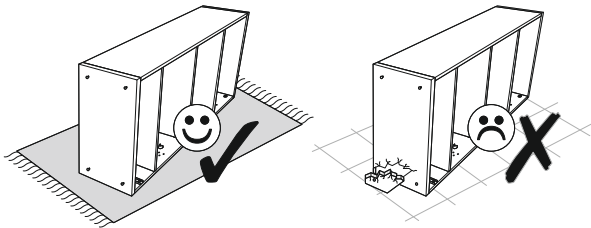
SL

SL

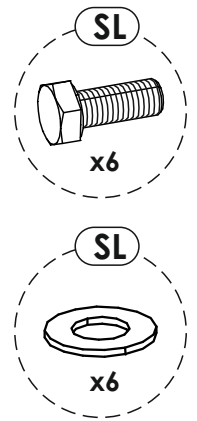
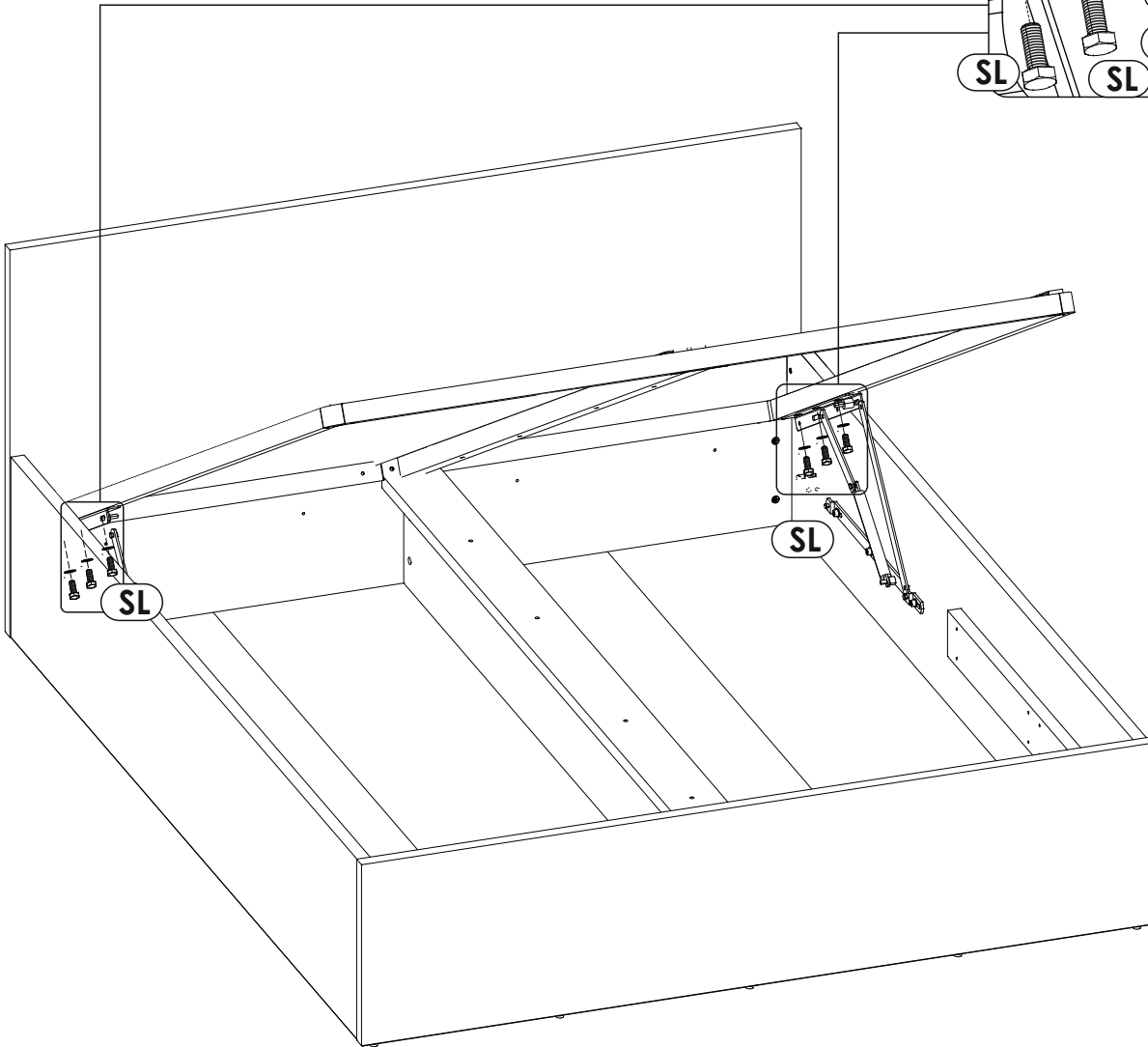
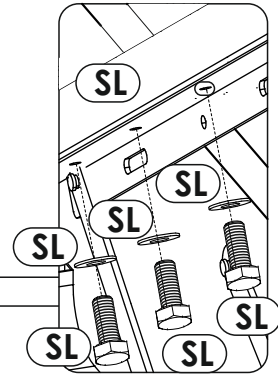
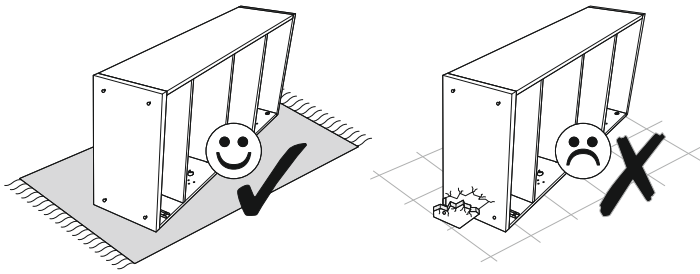
32 ▶

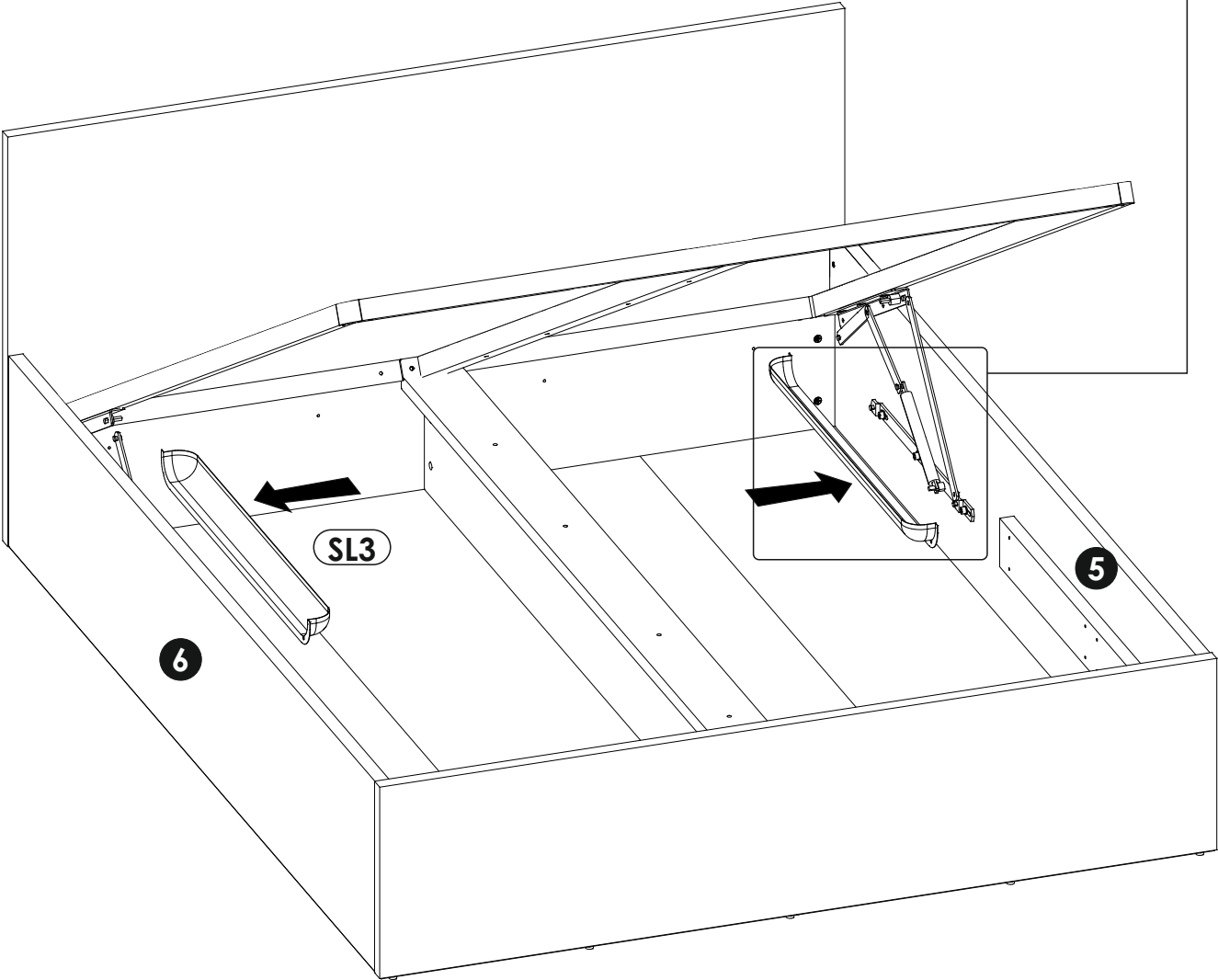
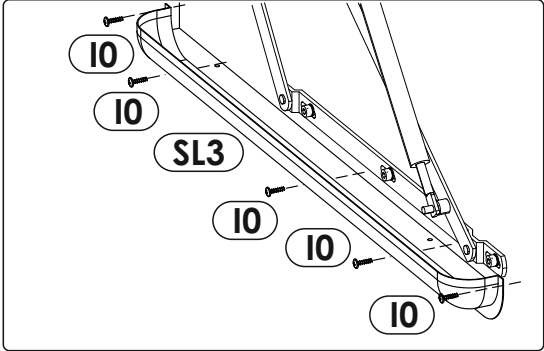


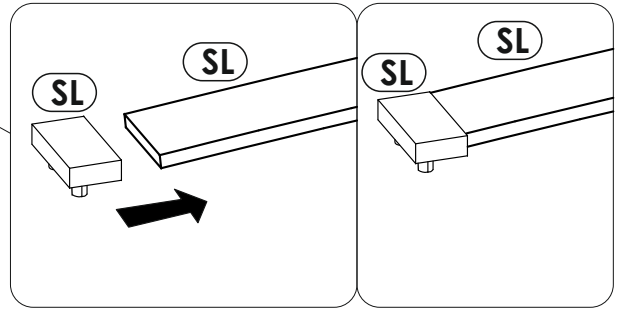
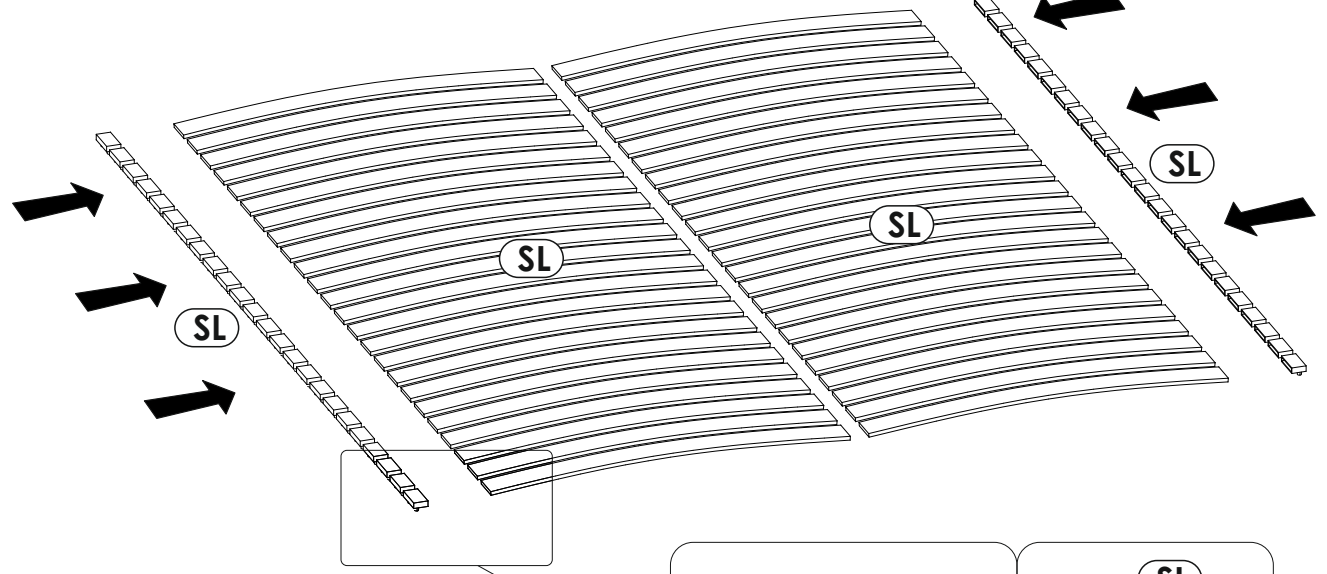
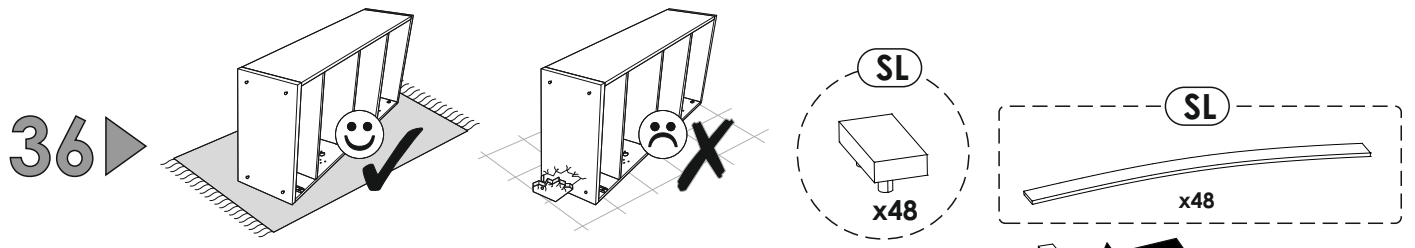
33 ▶



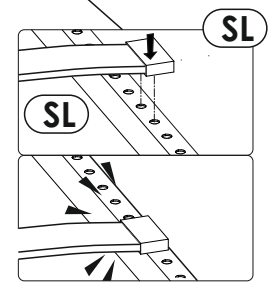
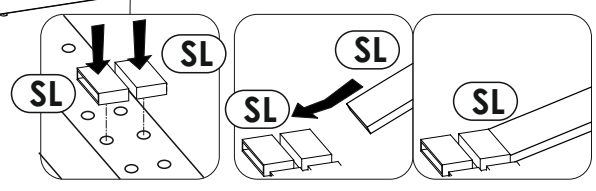
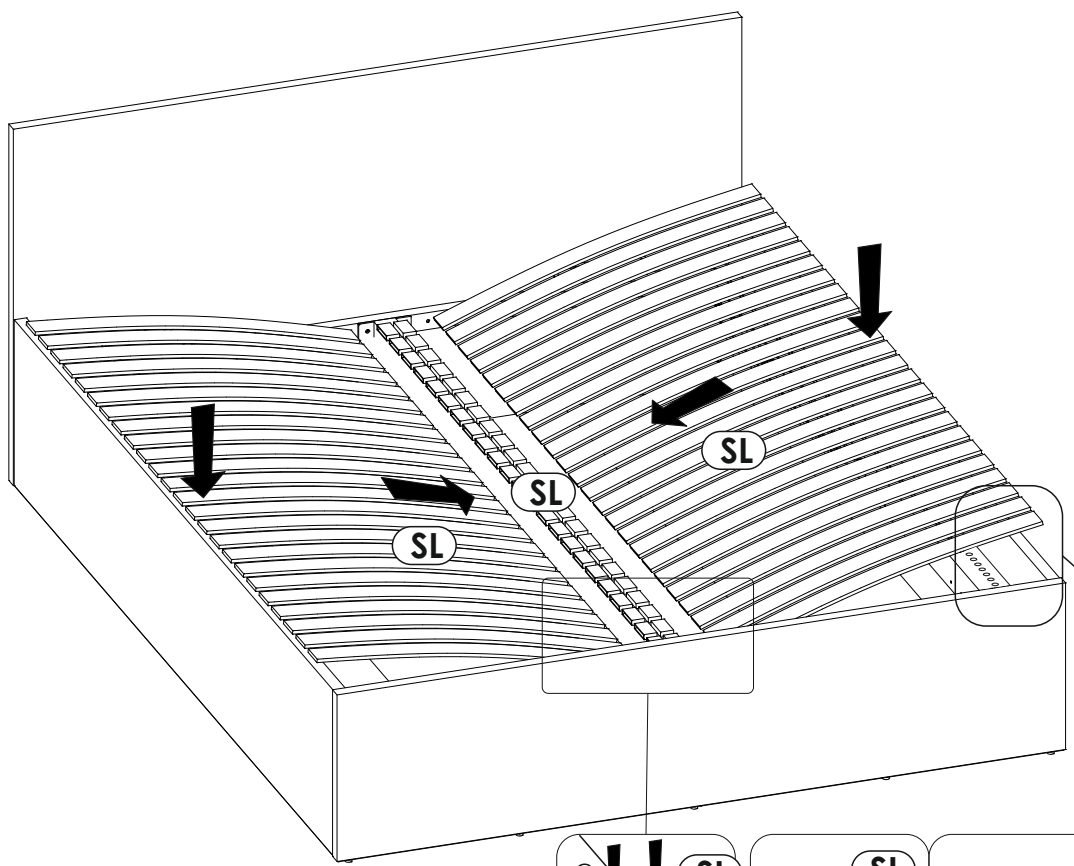
34▶



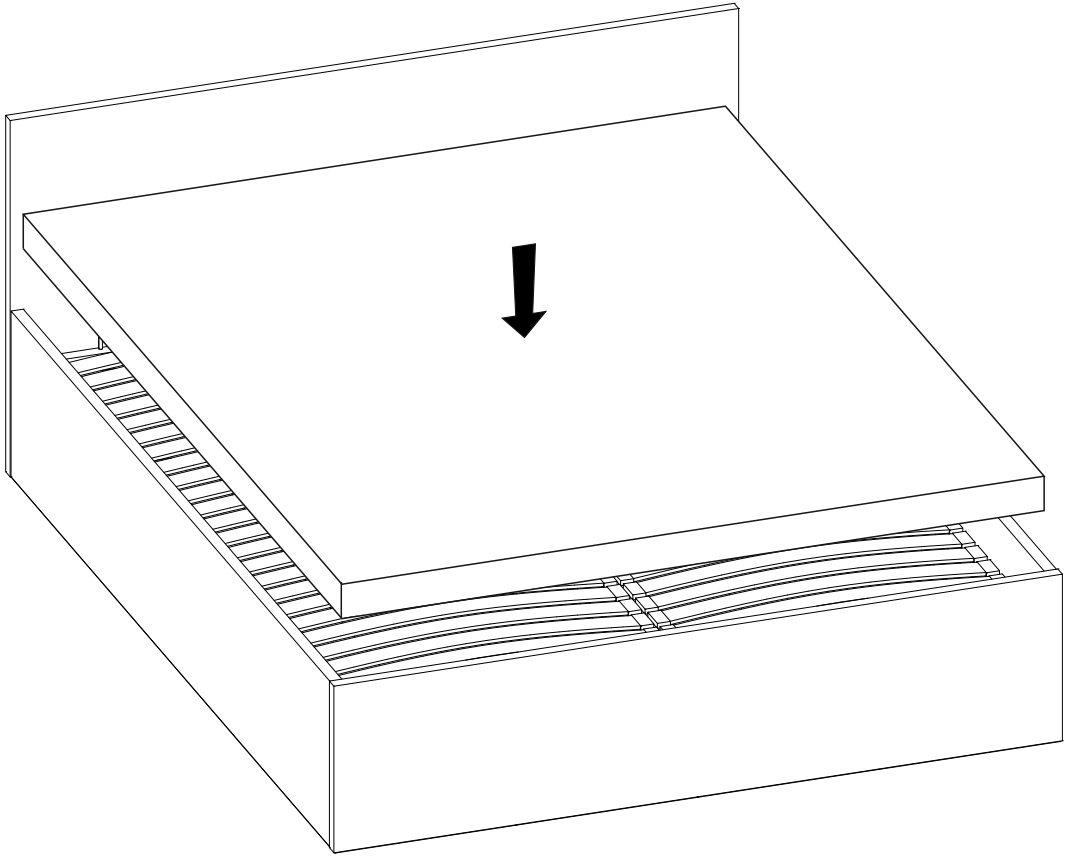




37 ▶



38 ▶



39 ▶

