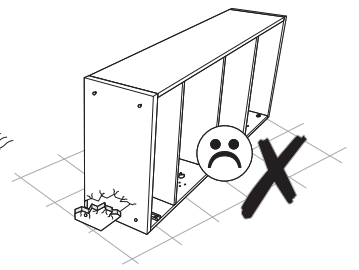
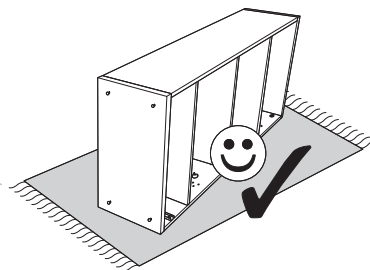
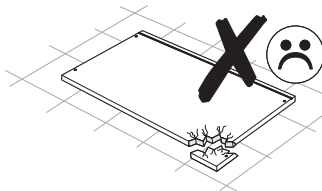
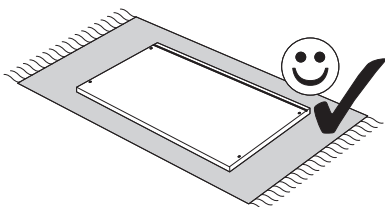
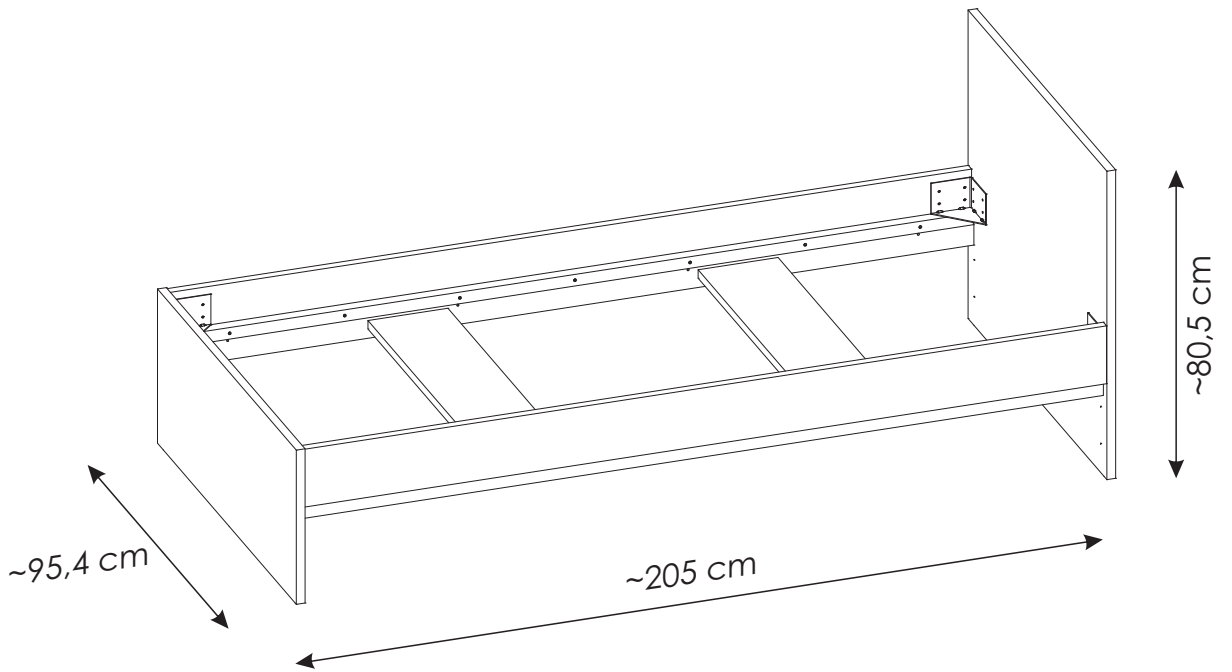
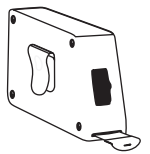
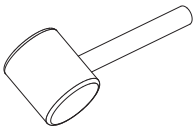
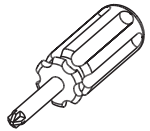
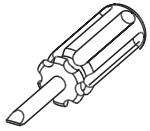
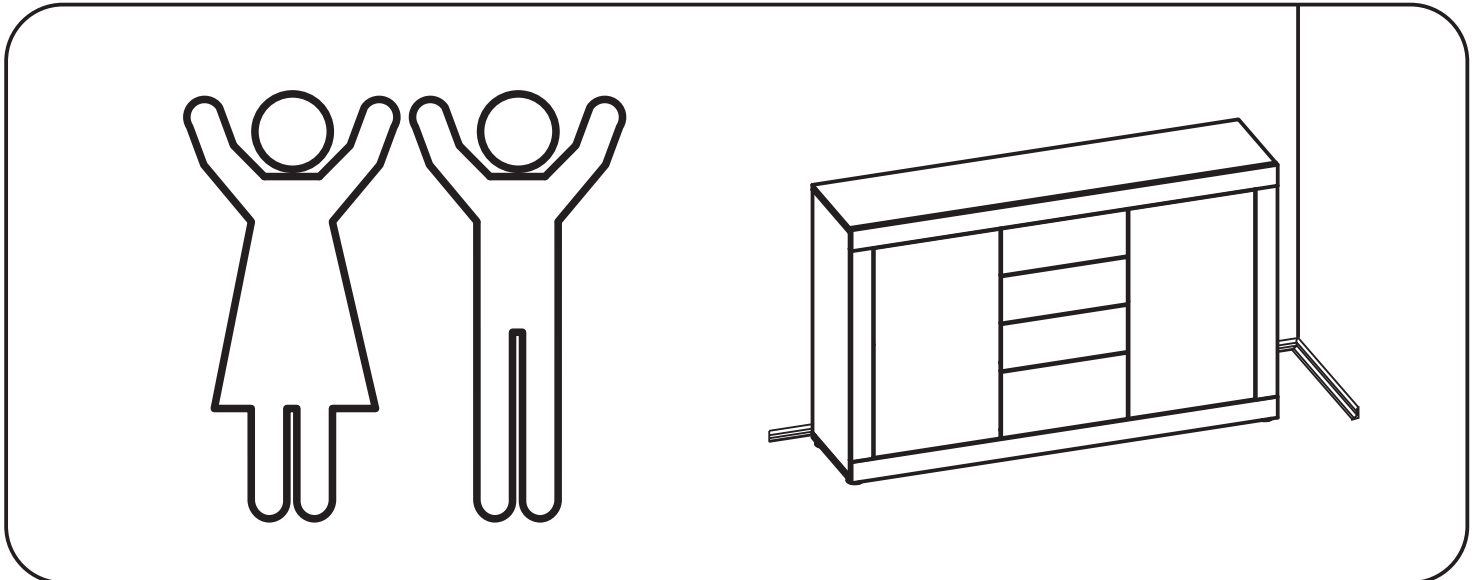
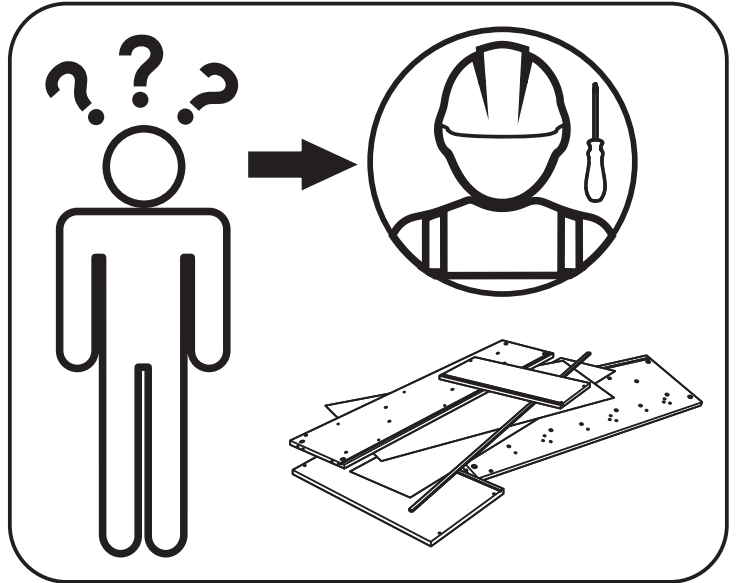
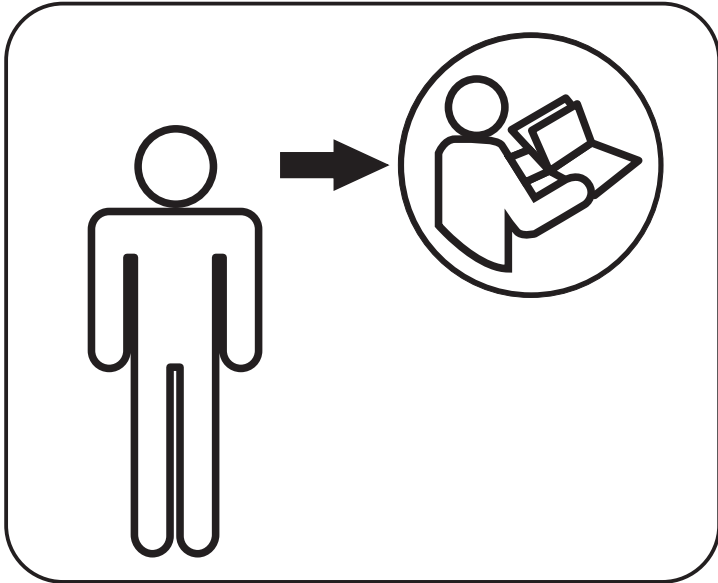
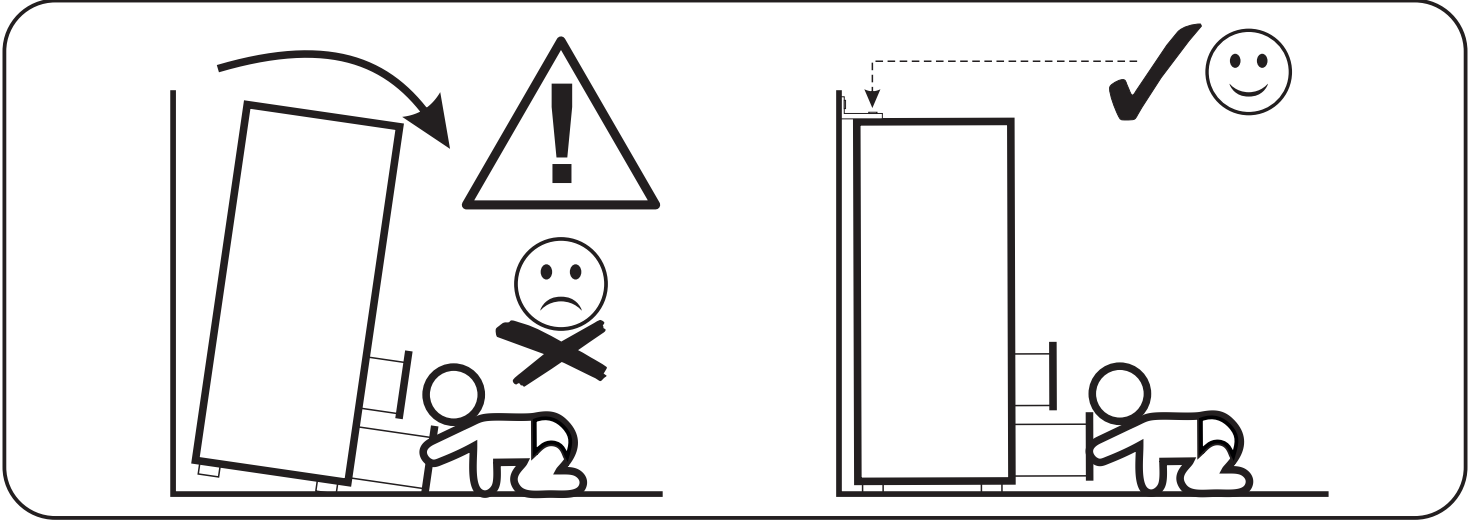
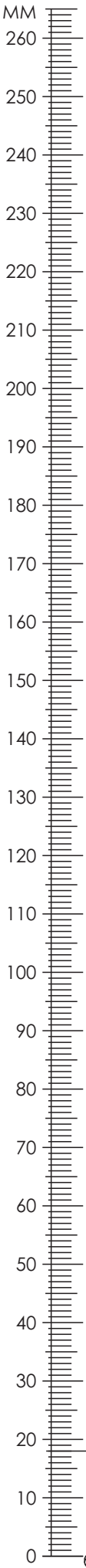




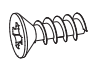

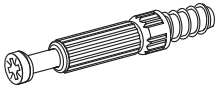



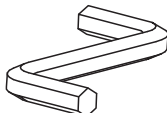

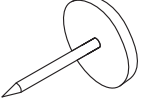
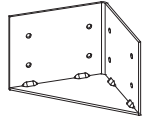
RIKZ01



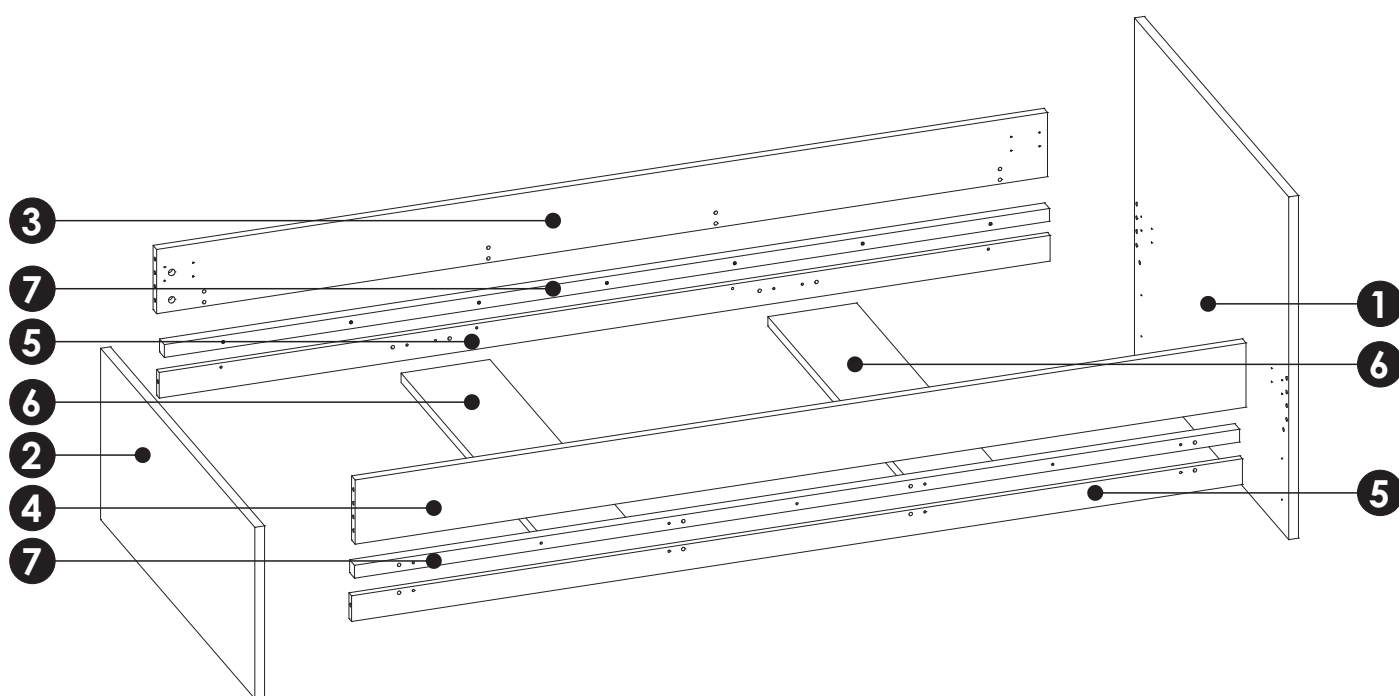
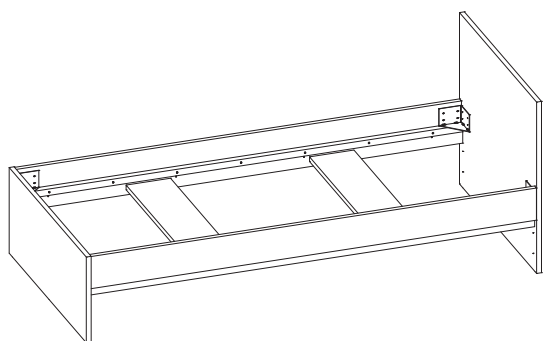


RIKZ01

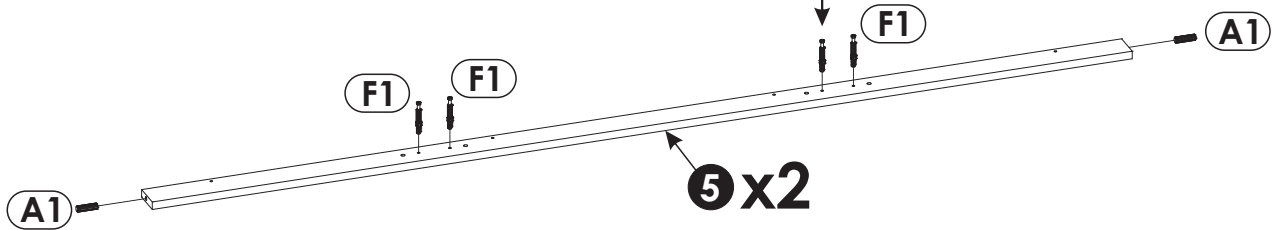
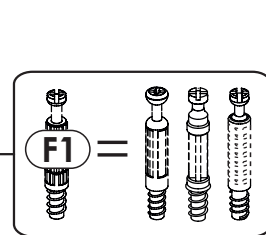
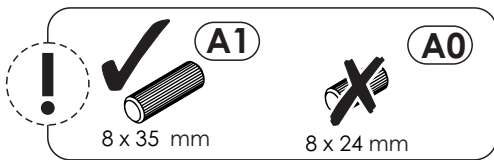
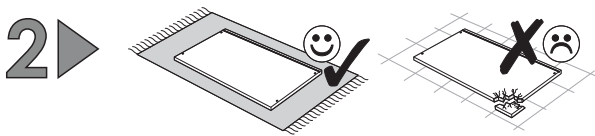
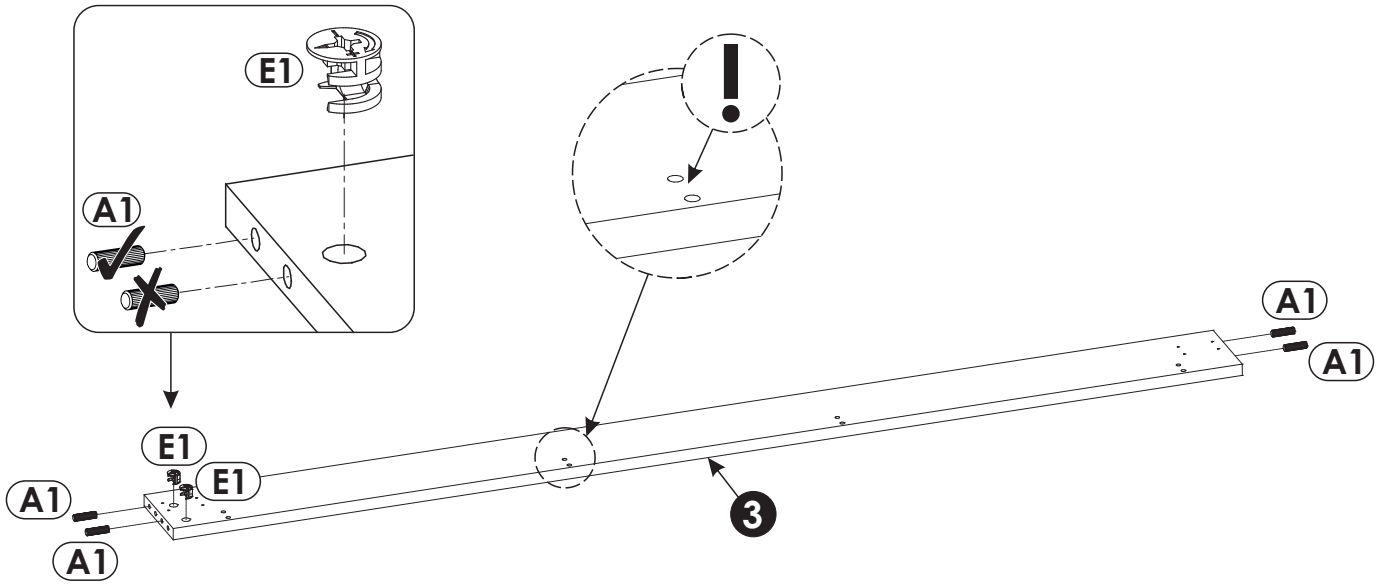
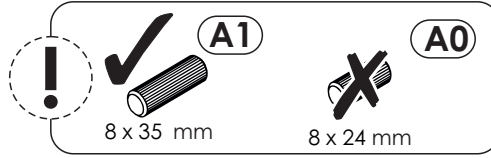
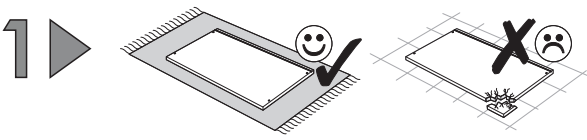
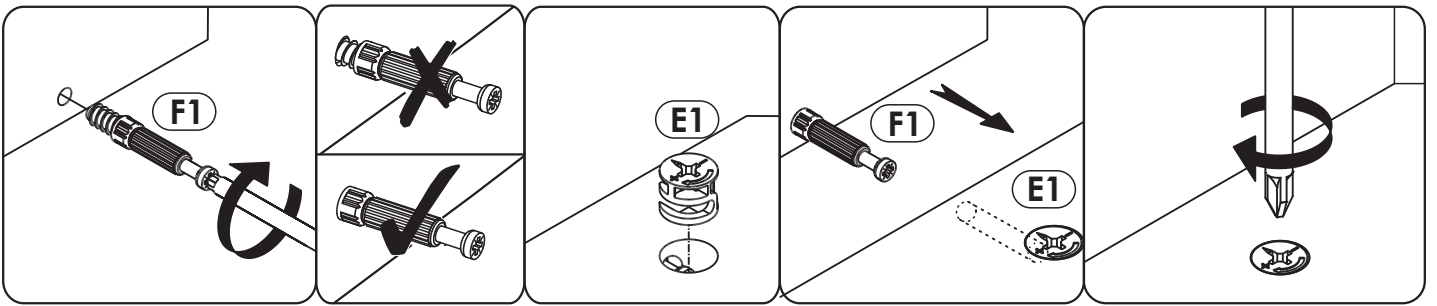


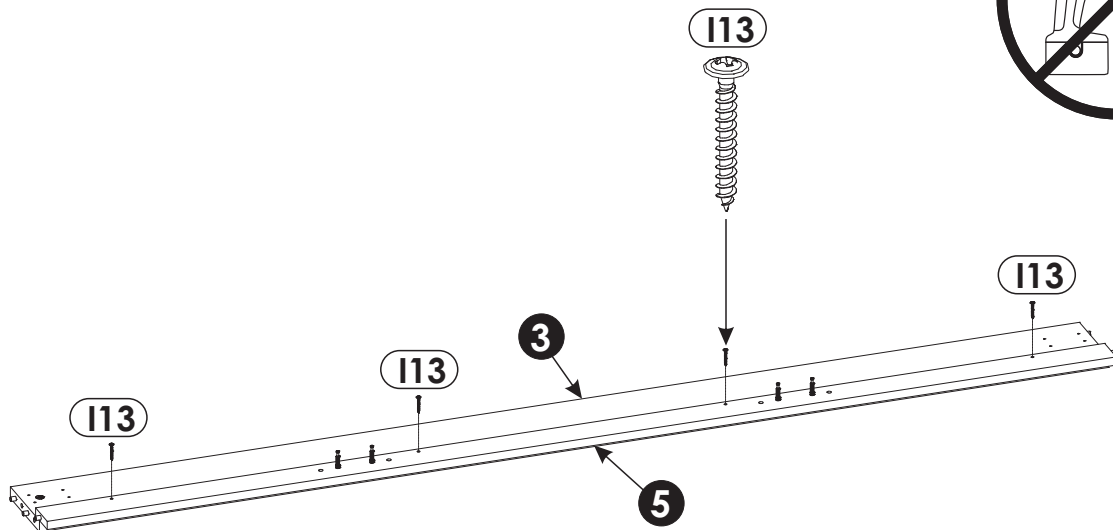
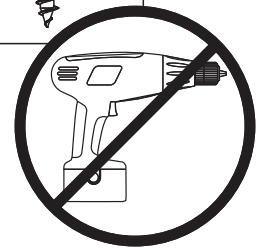
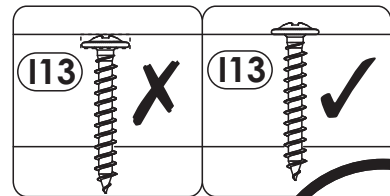
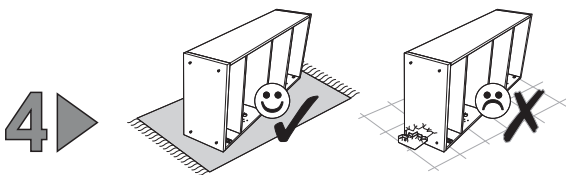
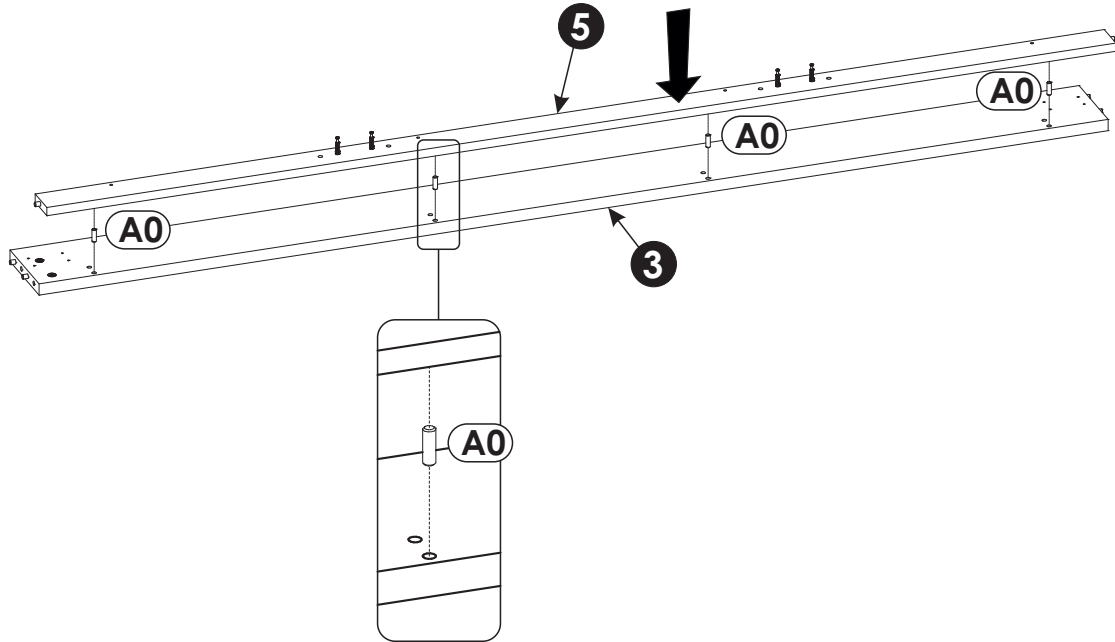
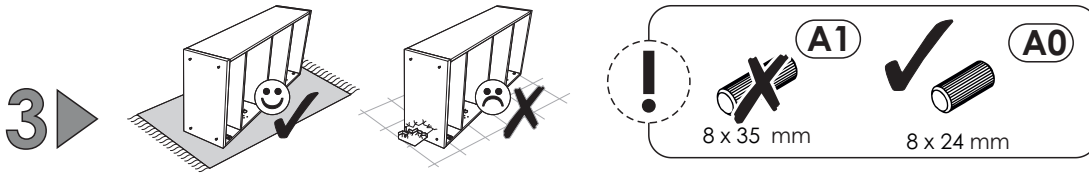
A0 8 x 24 mm x16 	A1 8 x 35 mm x20 	C2 5 x 13 mm x32 
E1 15 x 12 mm x12 	F1 6 x 34 mm x12 	G0 x4 
G2 7 x 60 mm x4 	I13 4 x 30 mm x8 	M x1 
N16 4 x 40 mm x14 	O2 x6 	W x4 

RIKZ01

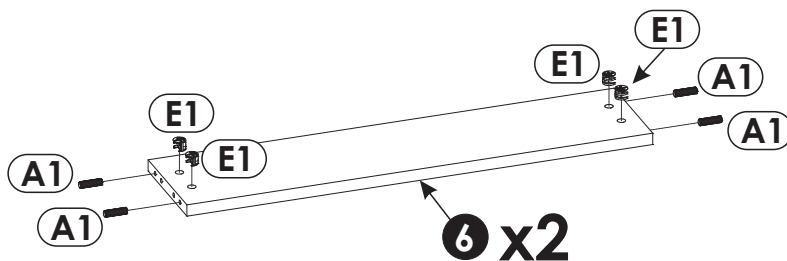
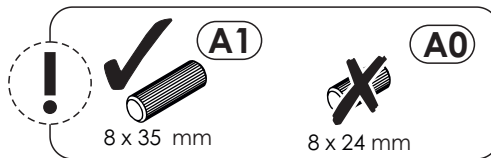
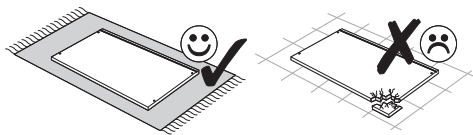


1	954	800	22	x1	2/2
2	954	400	22	x1	2/2
3	2006	150	22	x1	1/2
4	2006	150	22	x1	1/2
5	60	2006	16	x2	1/2
6	874	200	22	x2	1/2
7	1993	30	30	x2	1/2

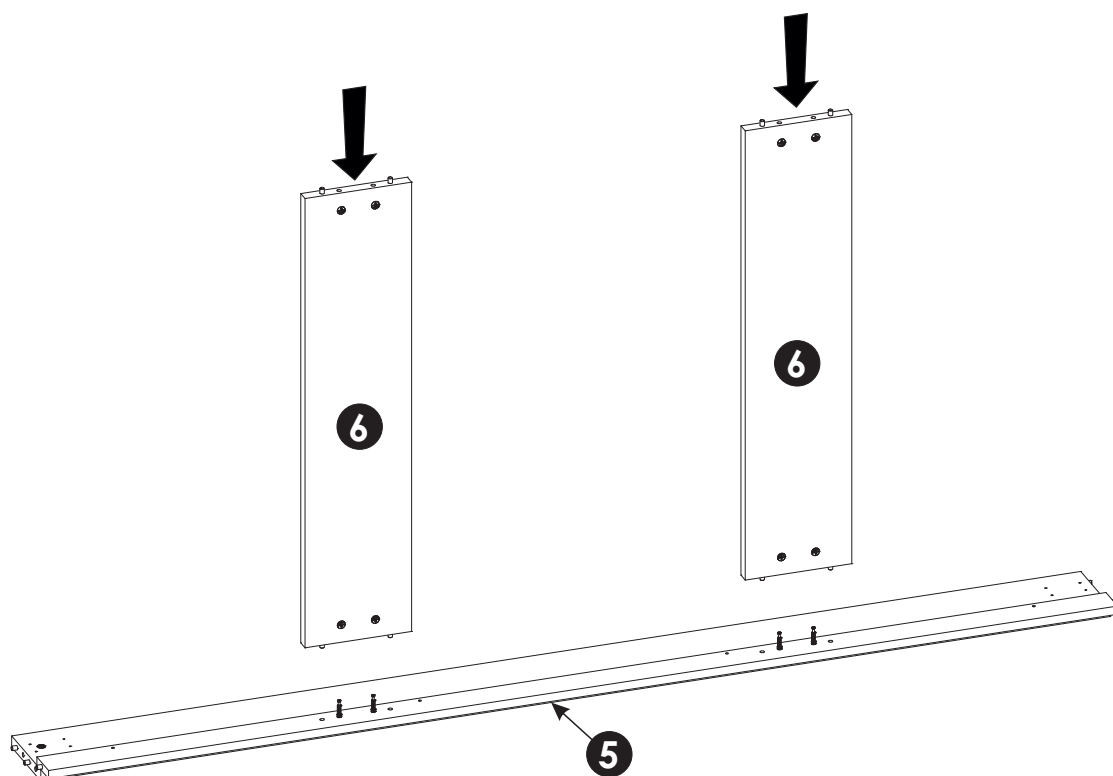
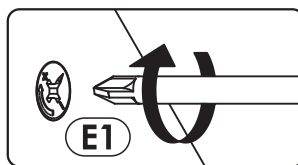
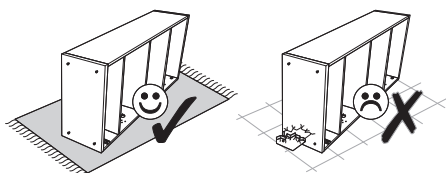




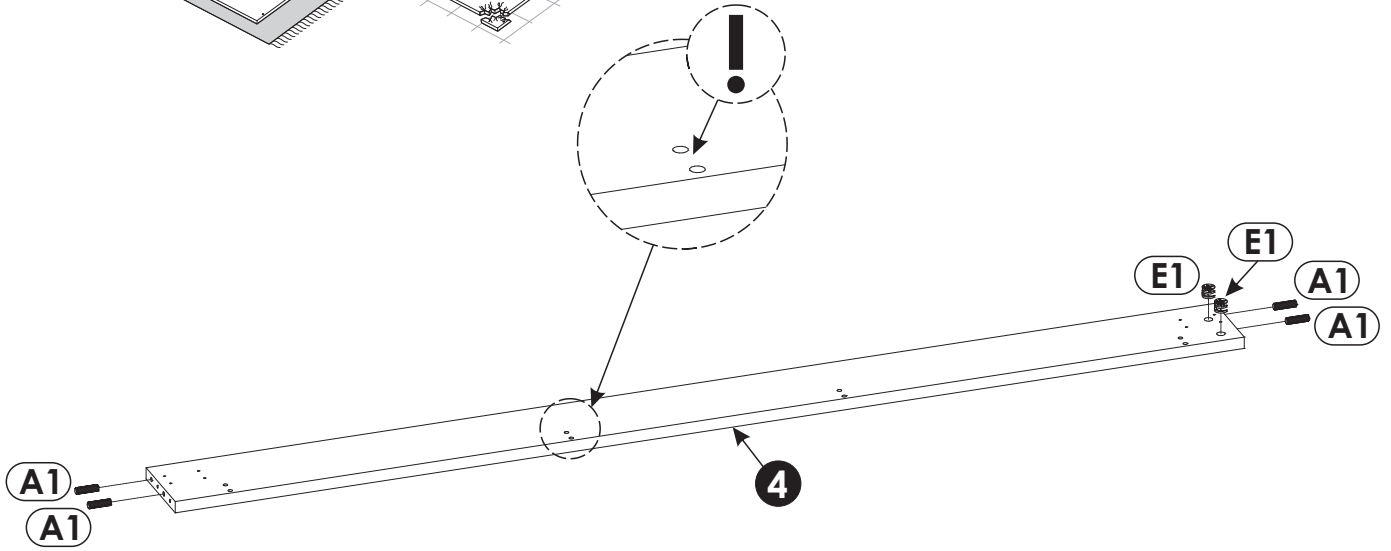
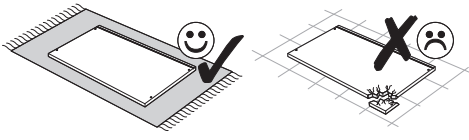
5 ▶



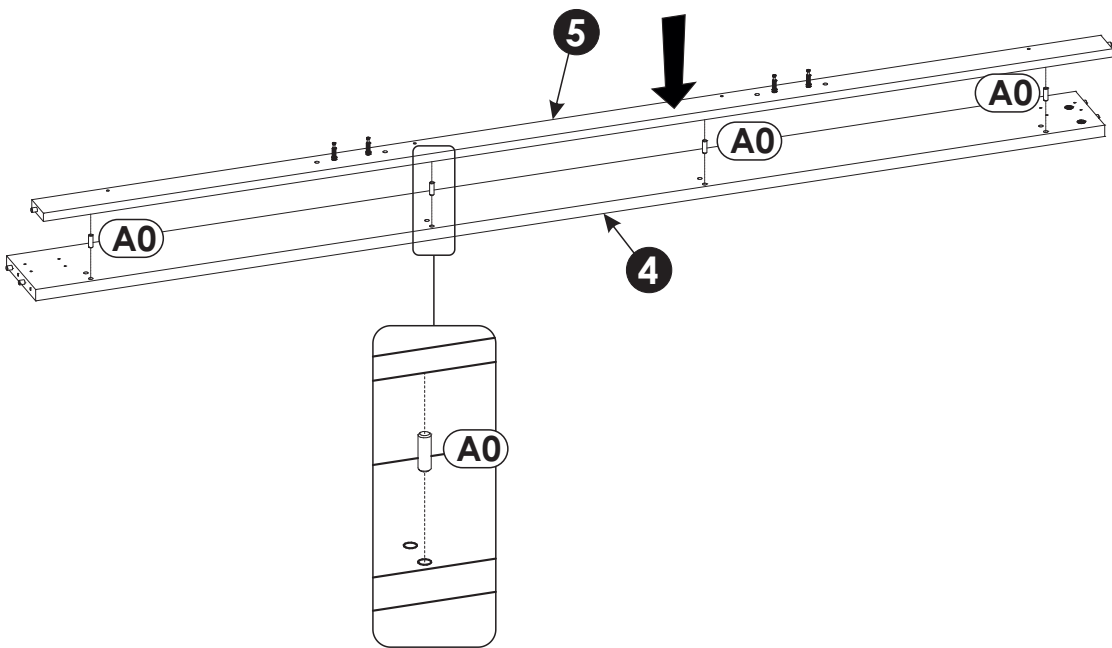
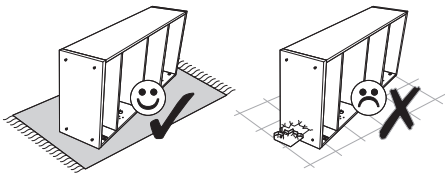
6 ▶

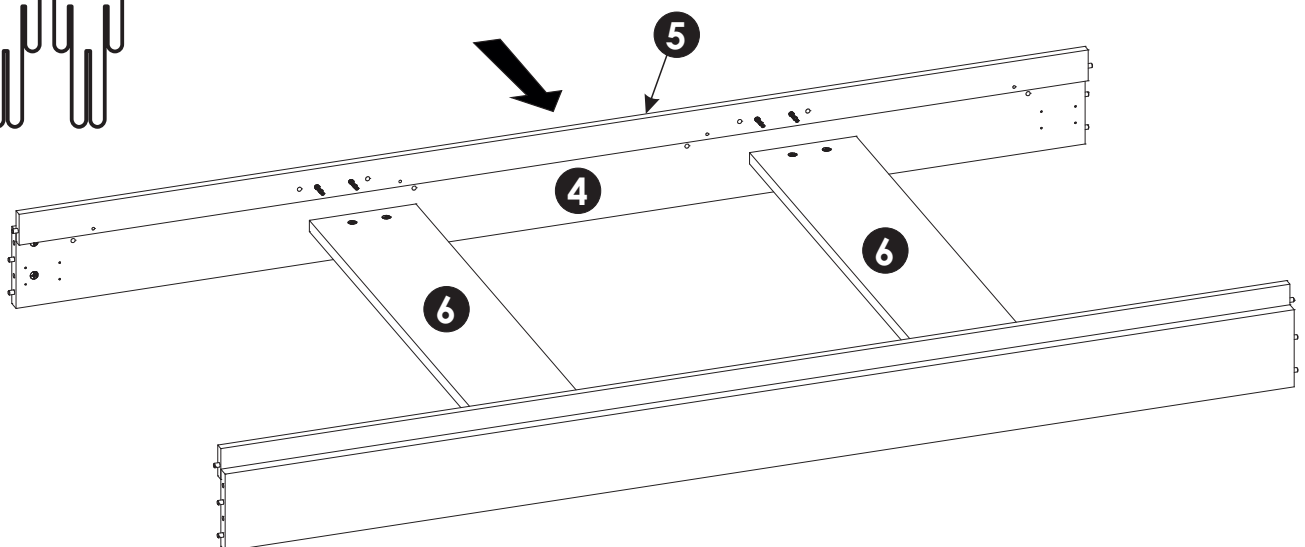
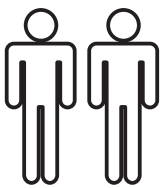
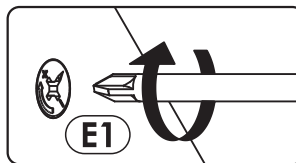
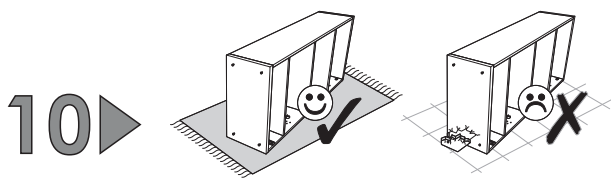
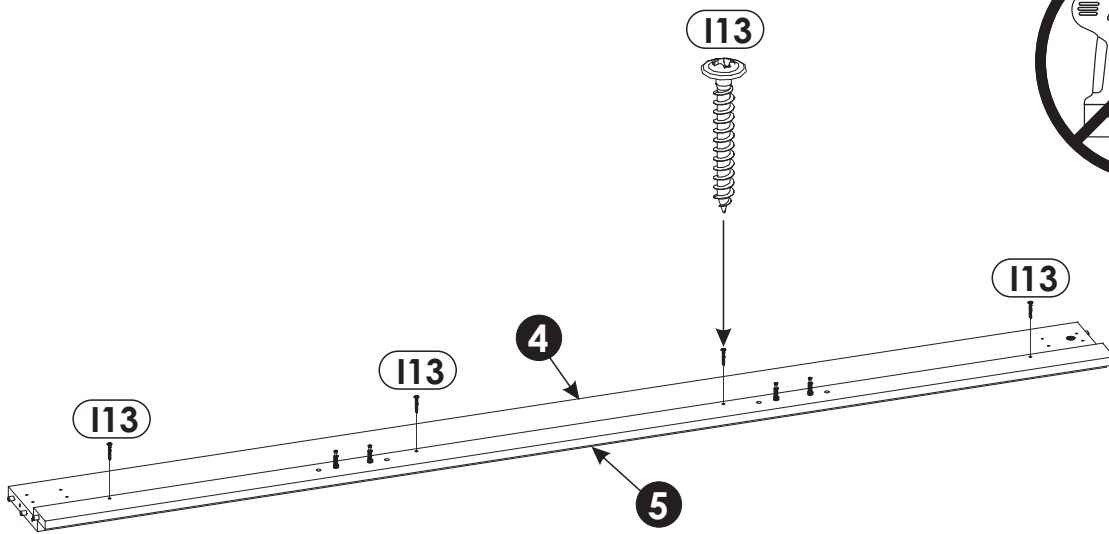
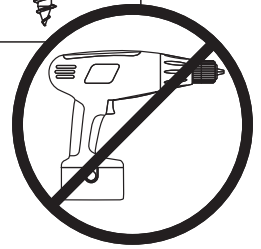
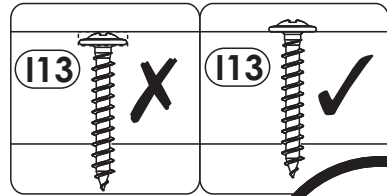
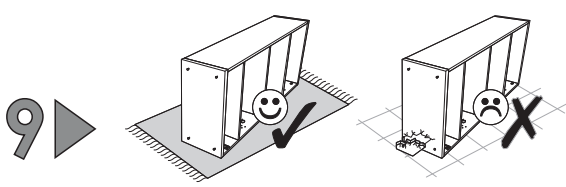


7 ▶

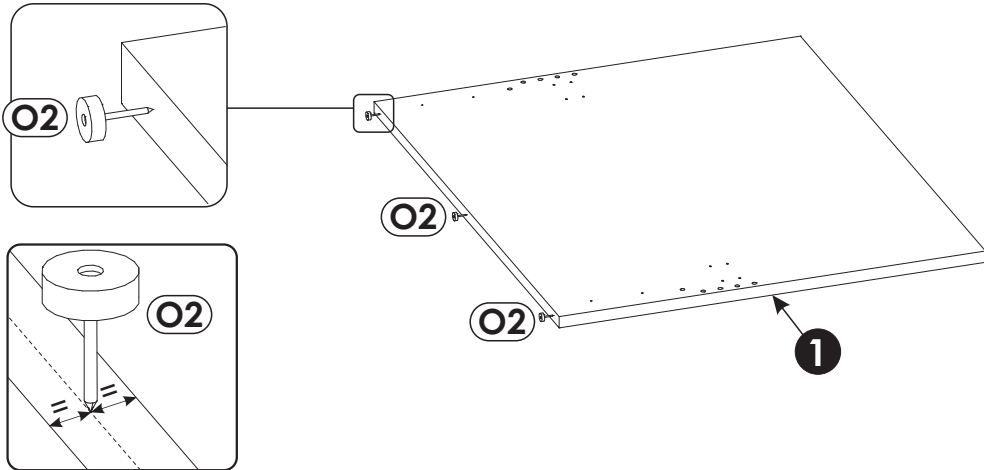
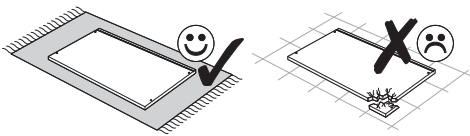


8 ▶

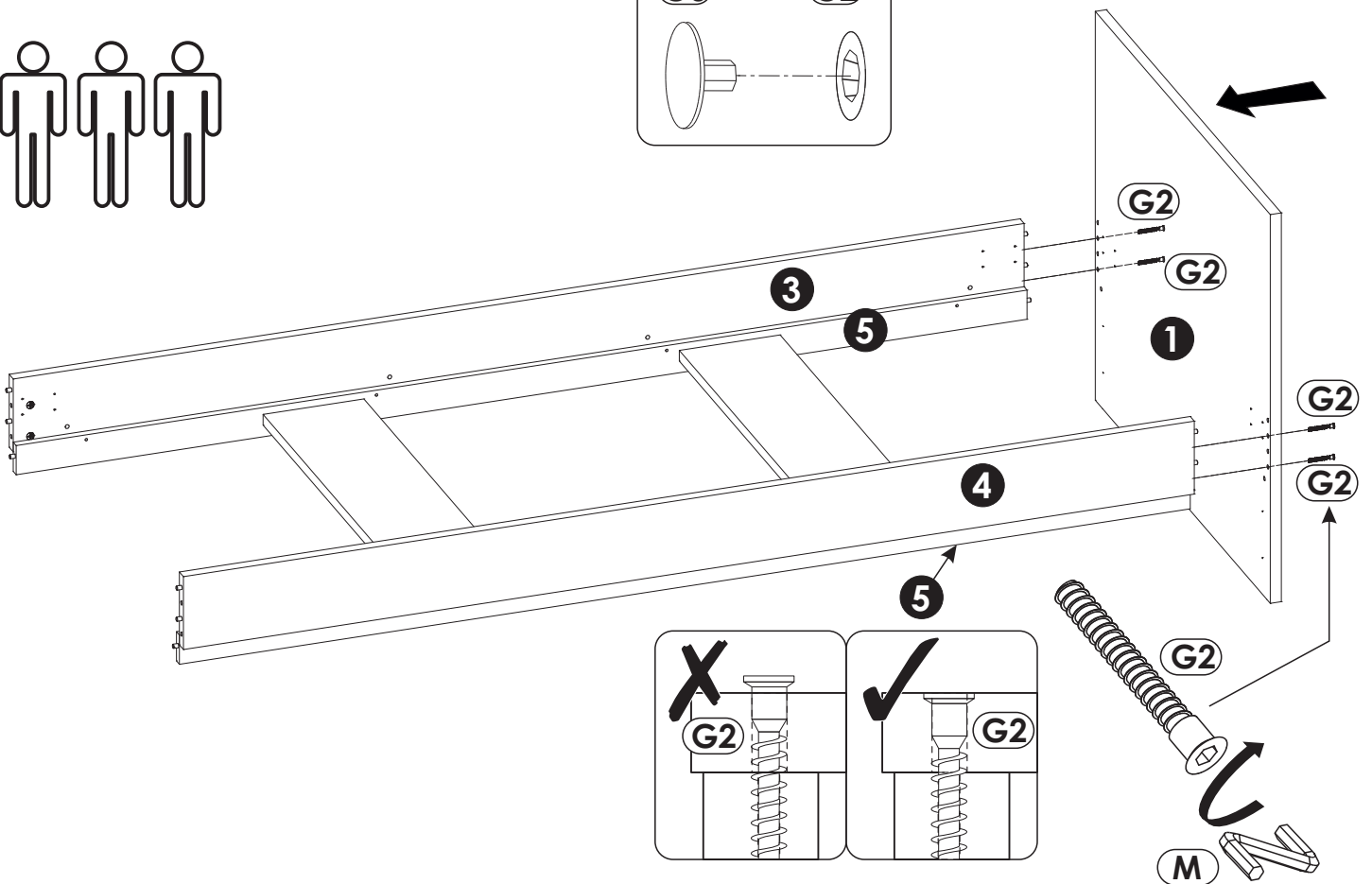
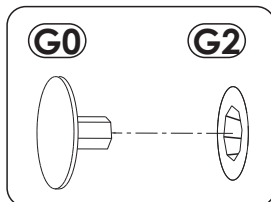
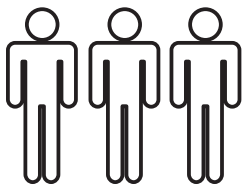
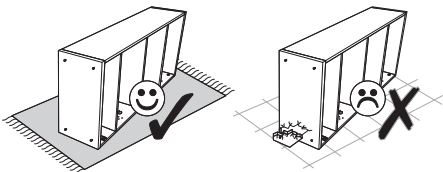




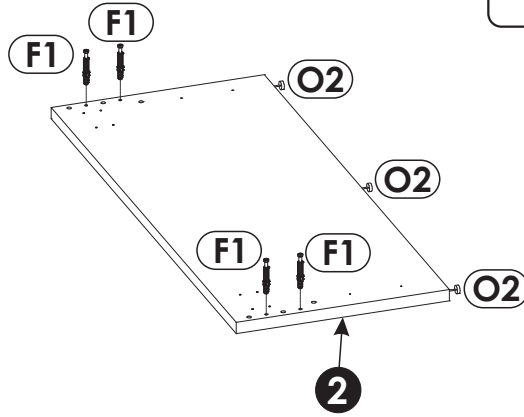
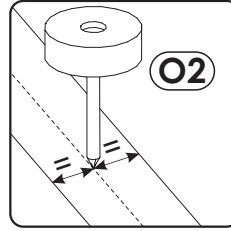
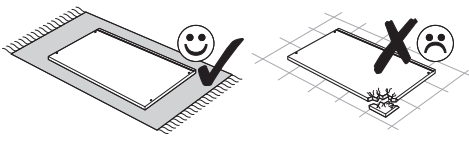
11 ▶



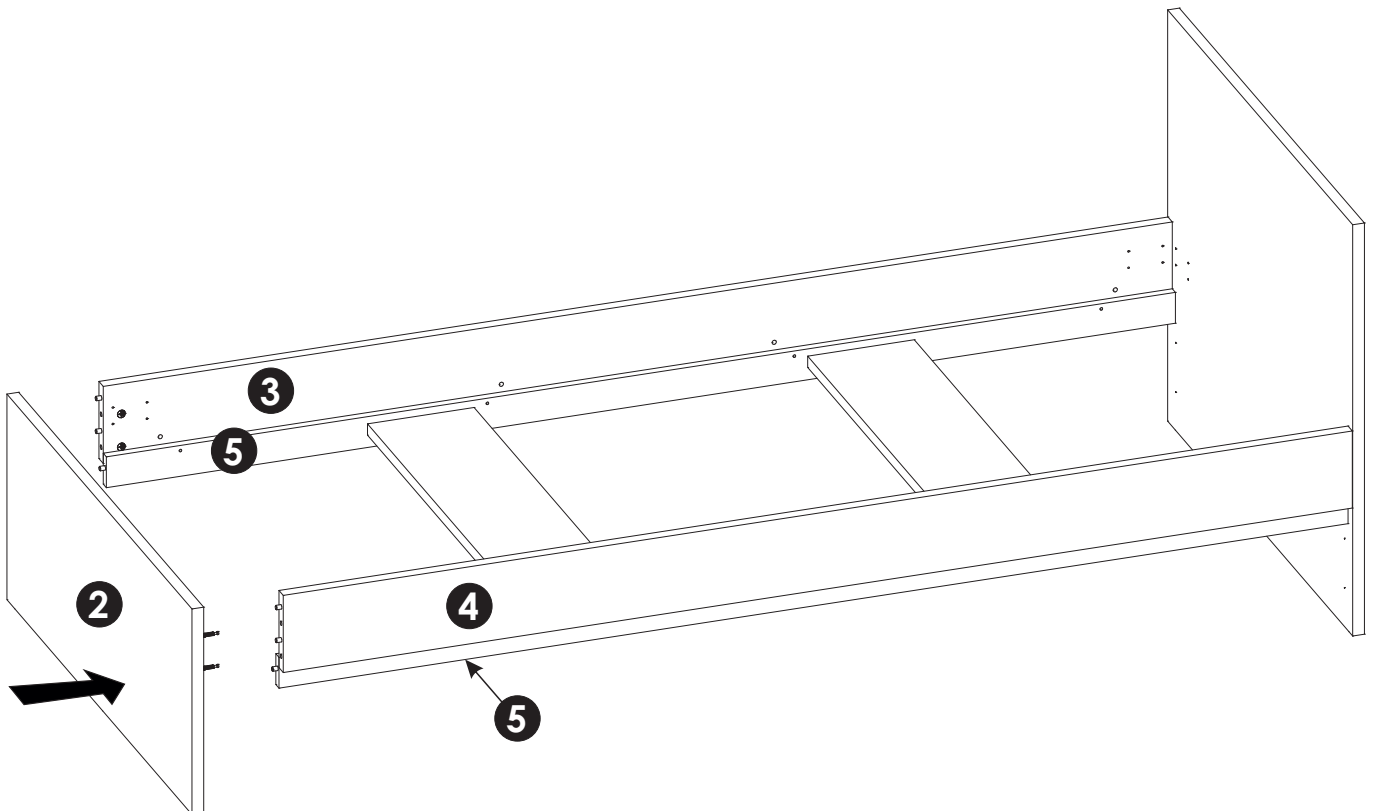
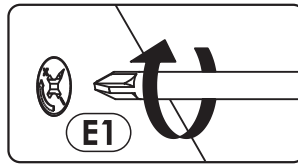
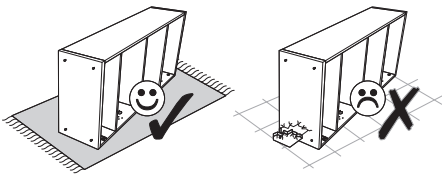
12 ▶



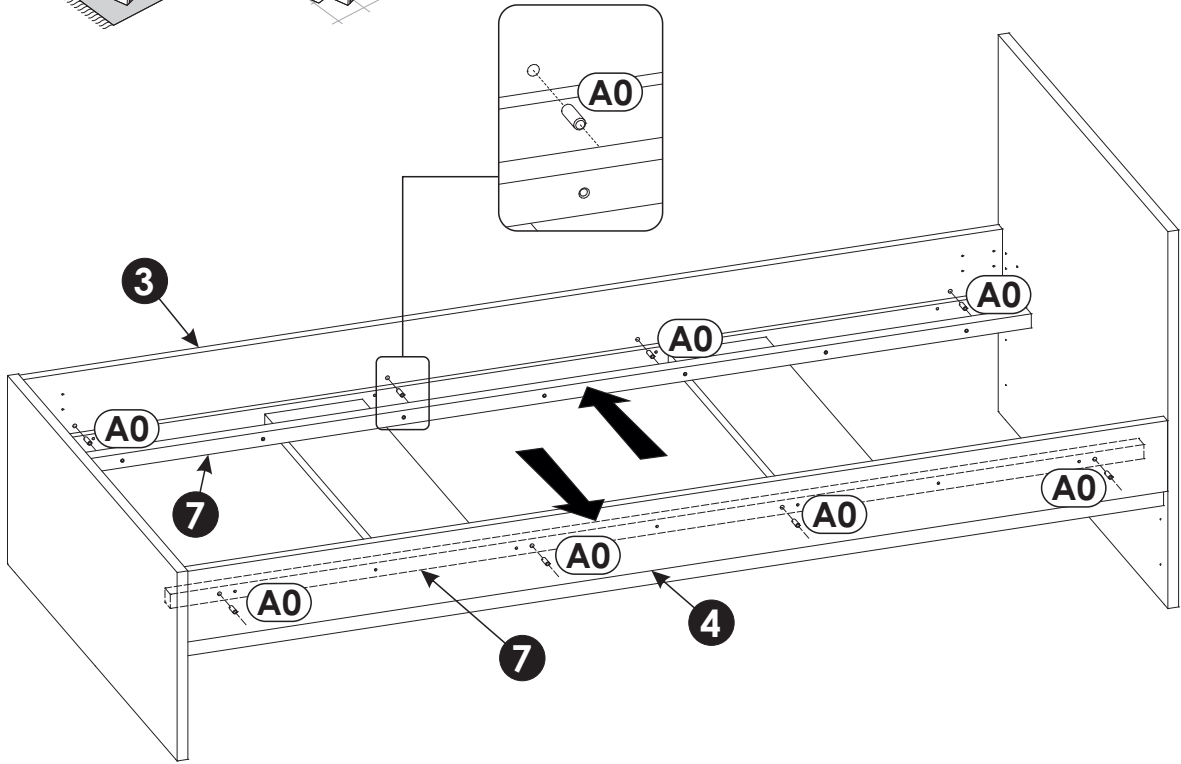
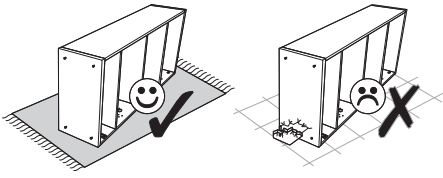
13▶



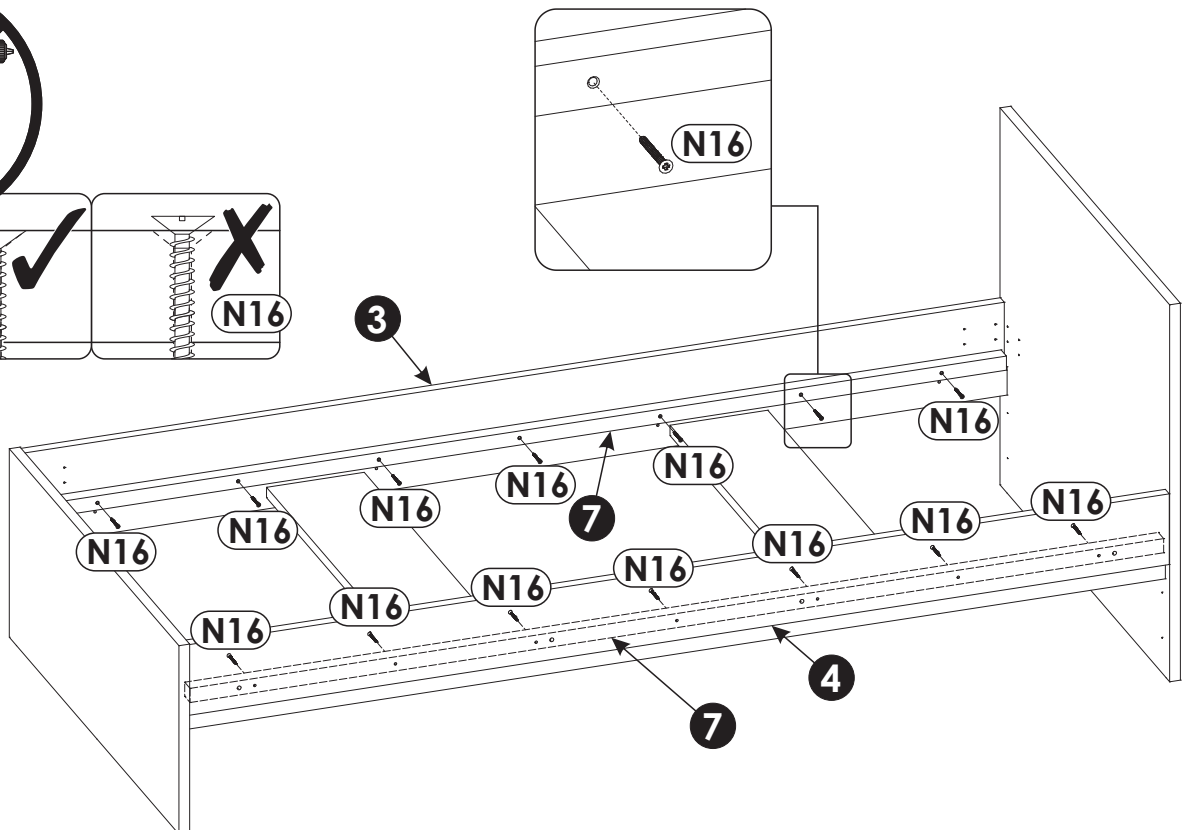
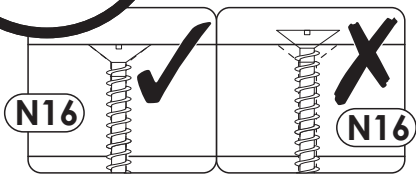
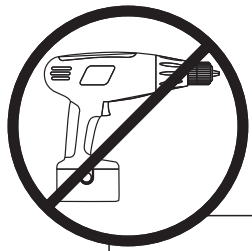
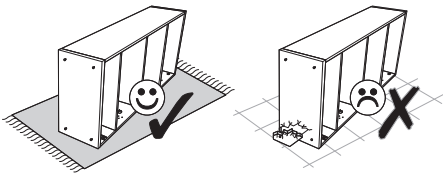
14▶



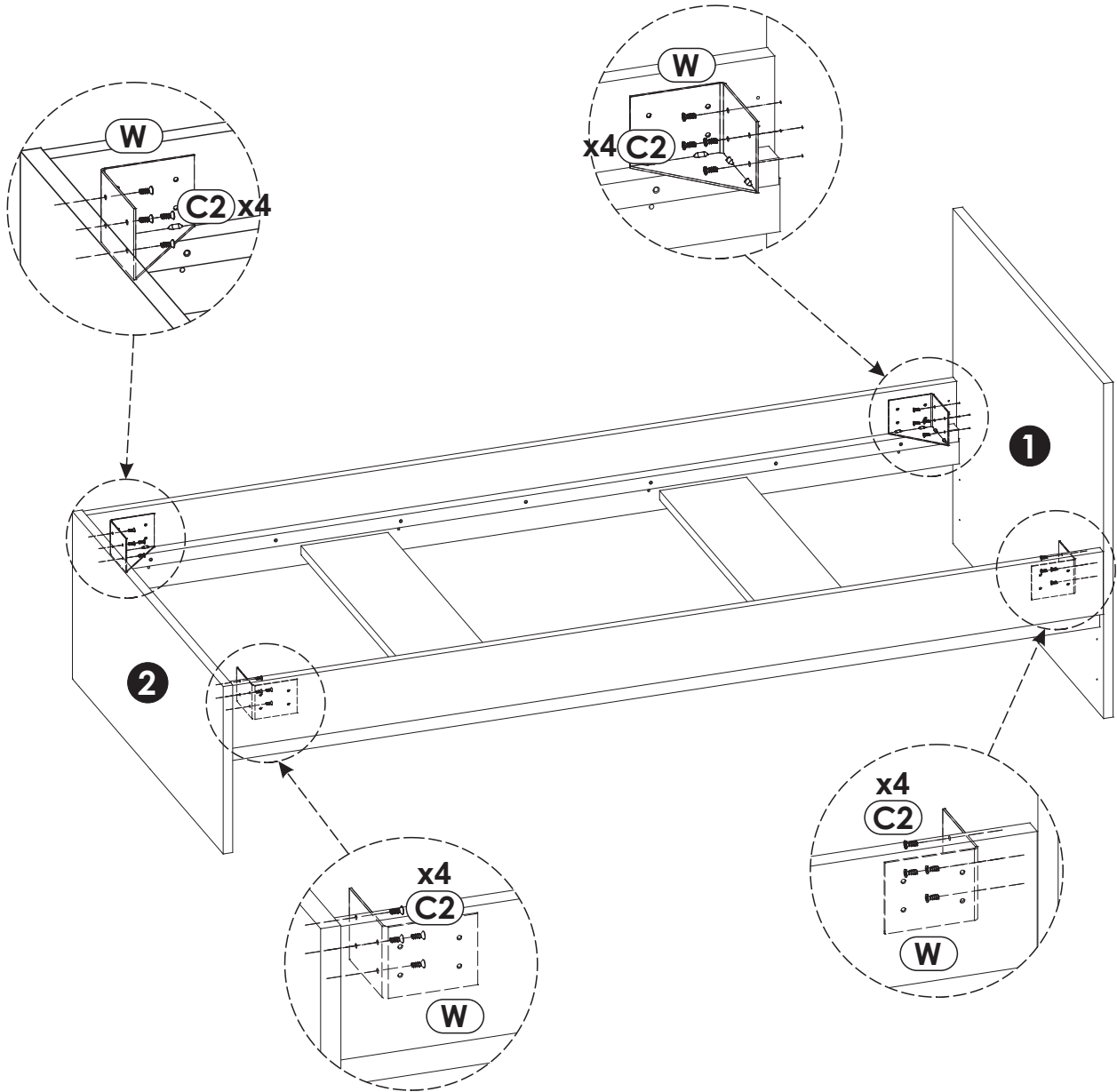
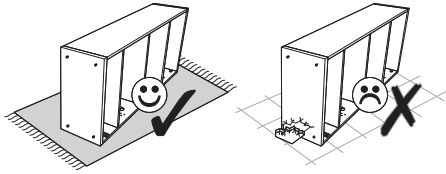
15 ▶



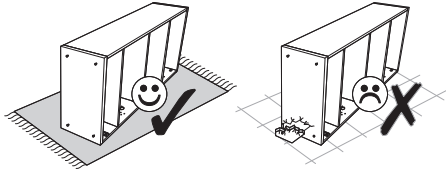
16 ▶



17▶



18 ▶



max
120kg

