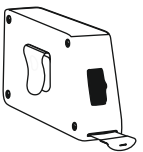
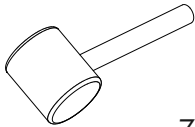
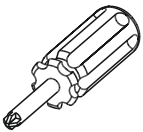
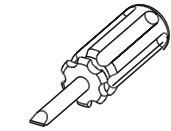
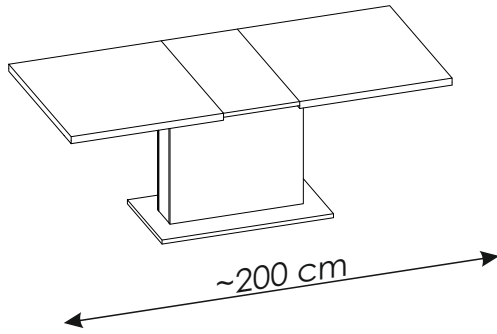
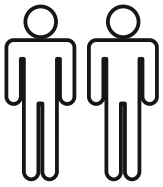


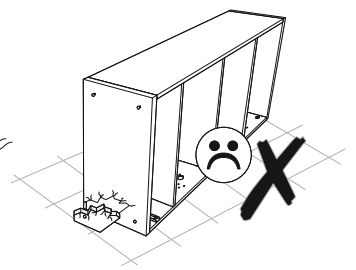
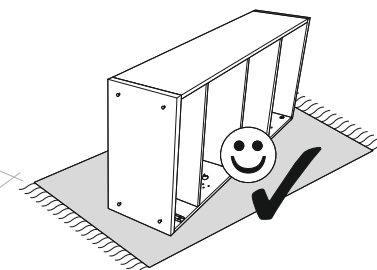
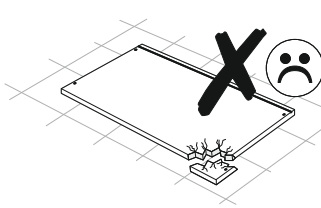
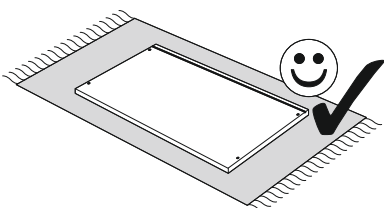
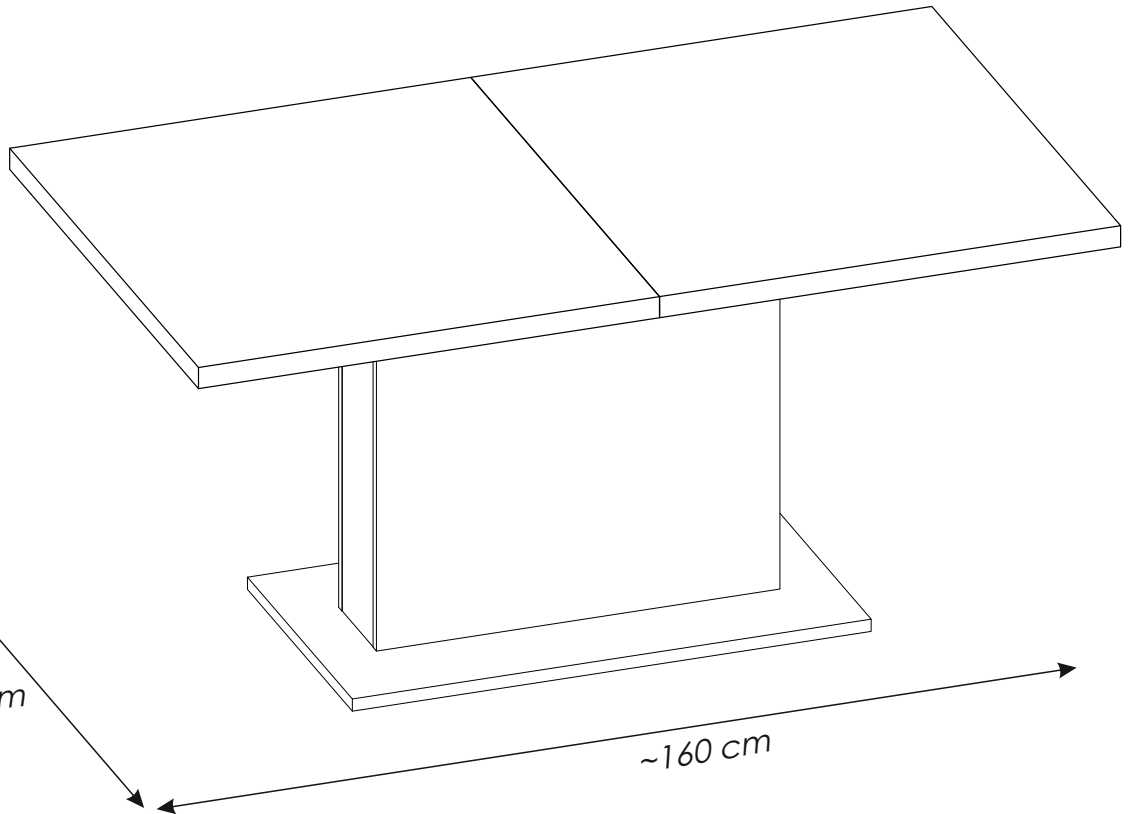
MDT20

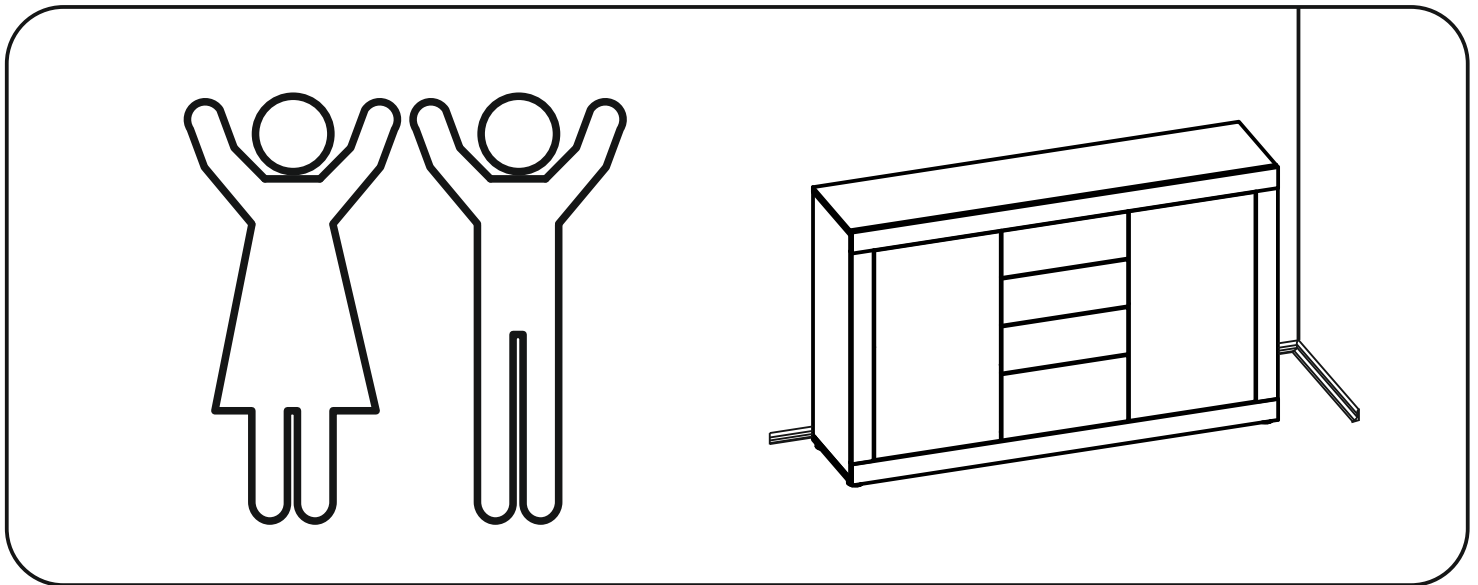
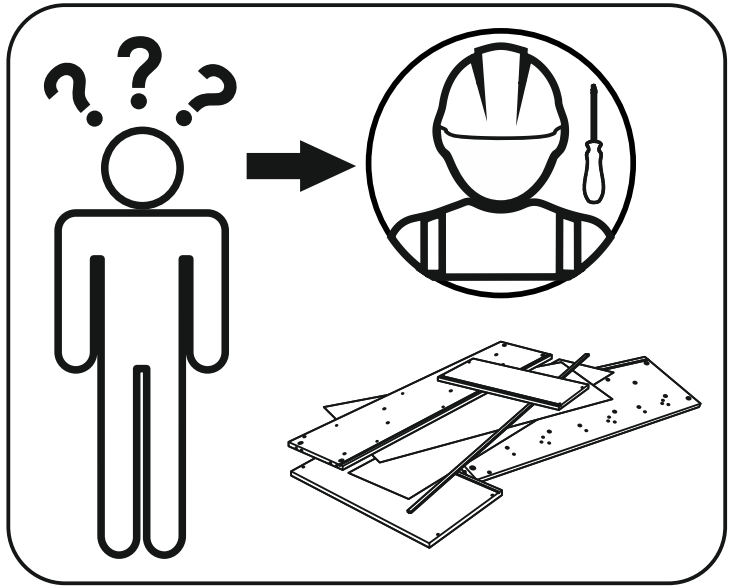
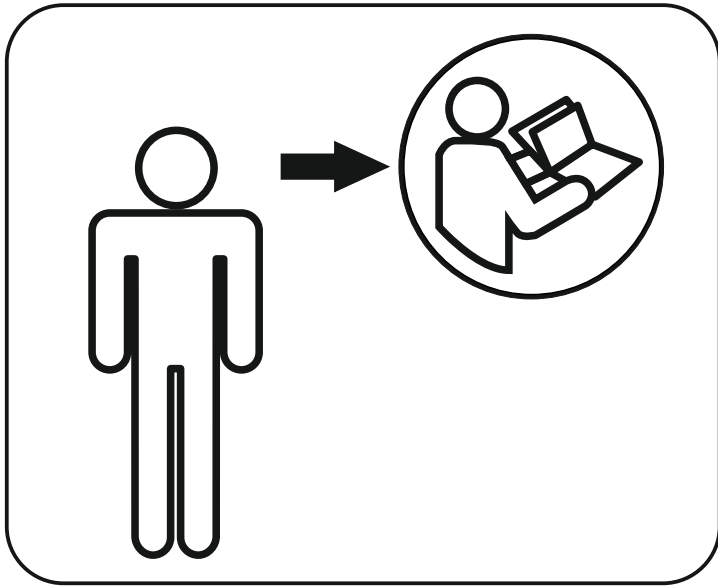
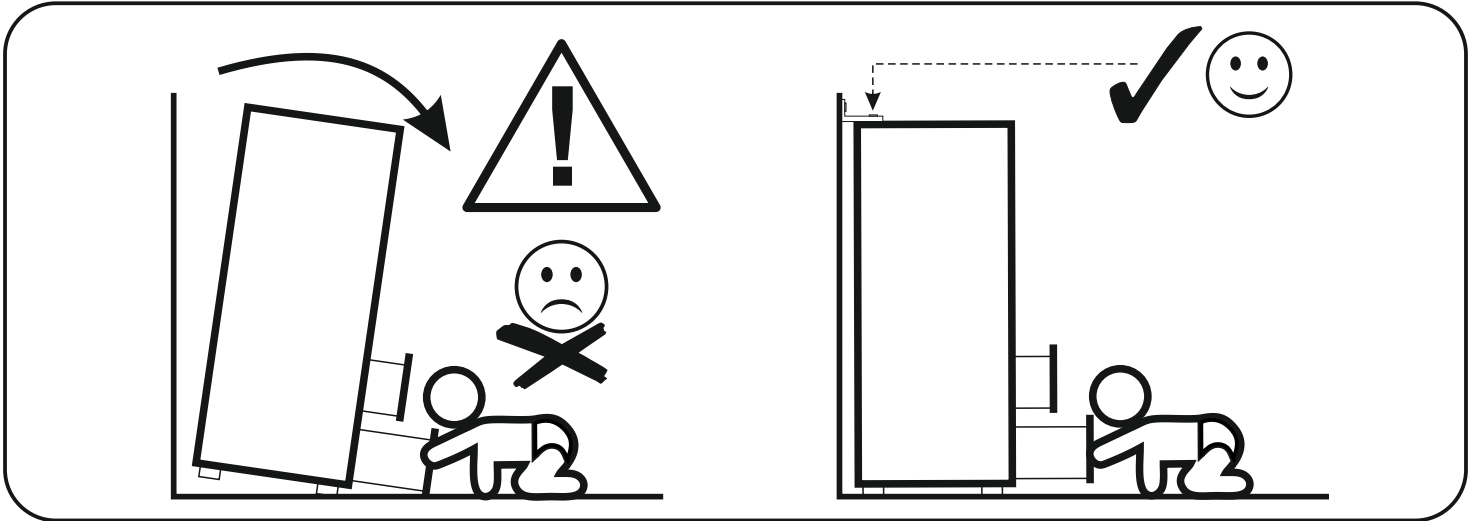
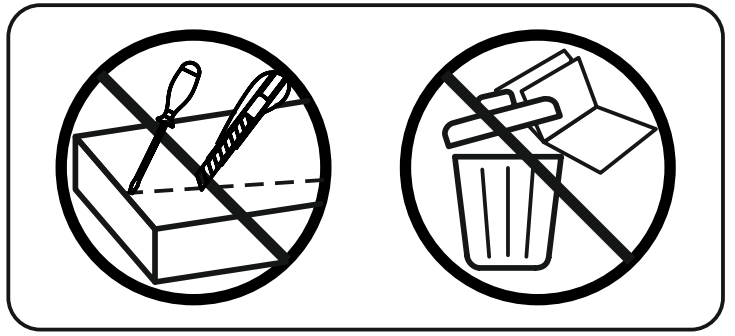
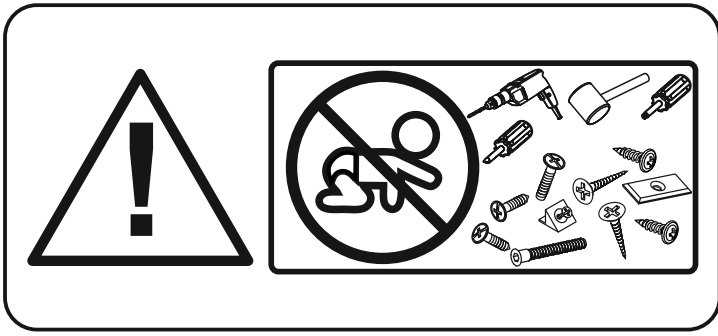


~76 cm

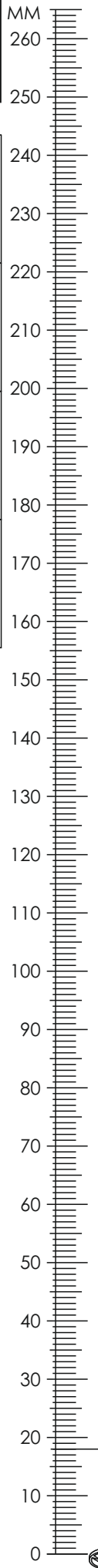
~90 cm

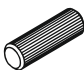

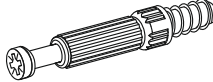
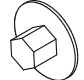

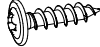

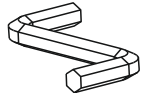

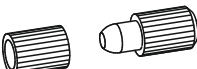


~160 cm



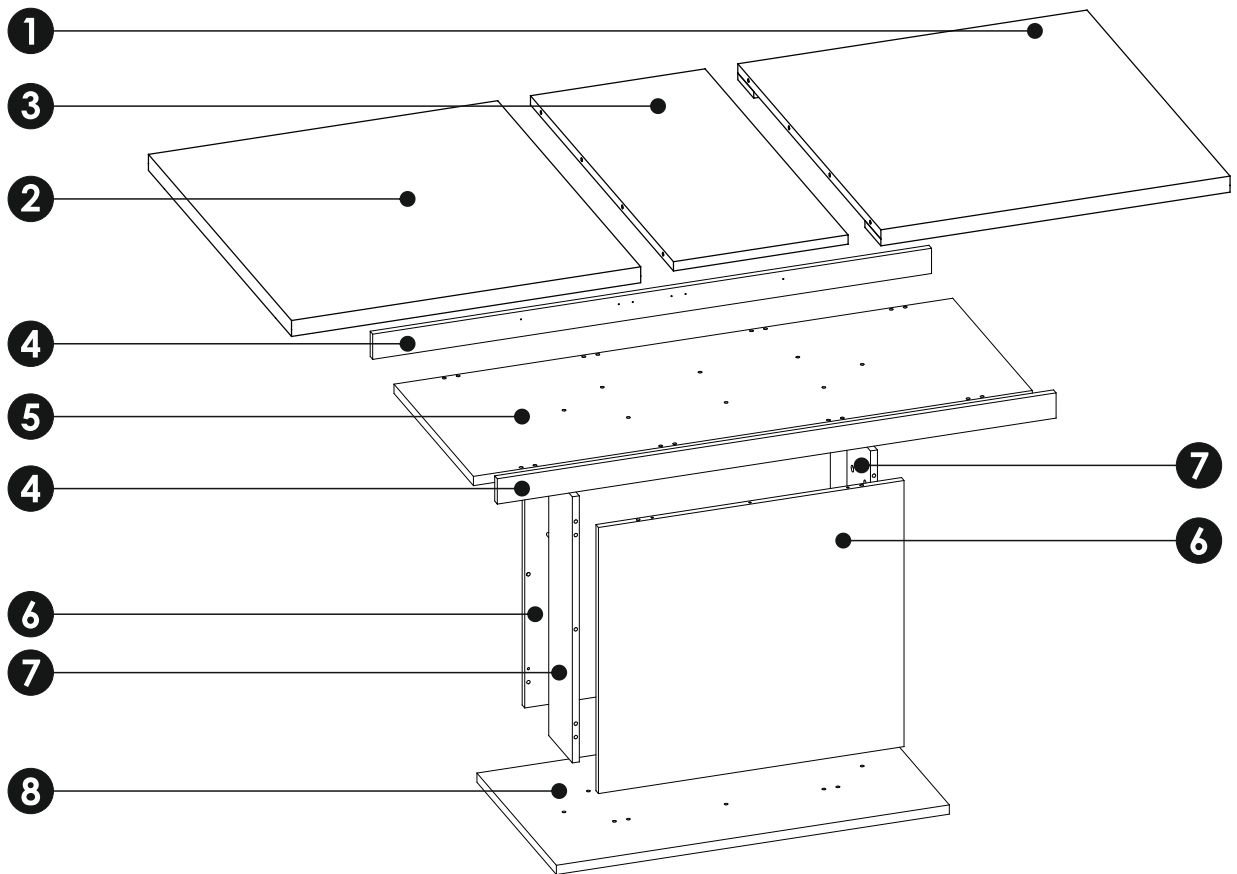
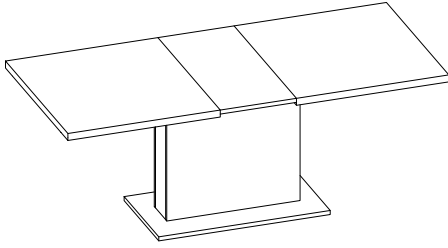


MDT20



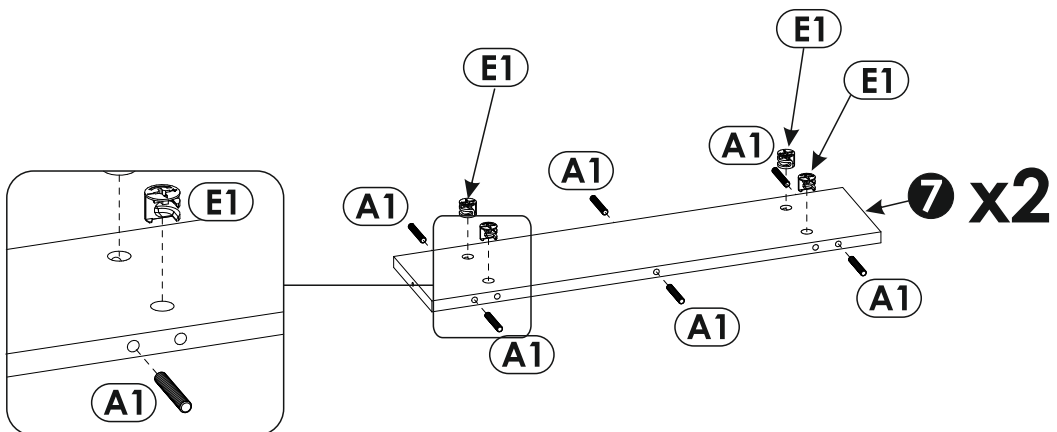
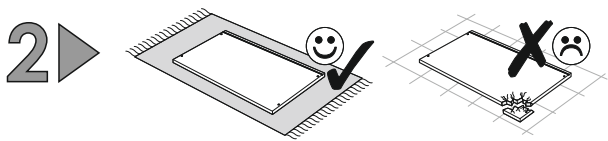
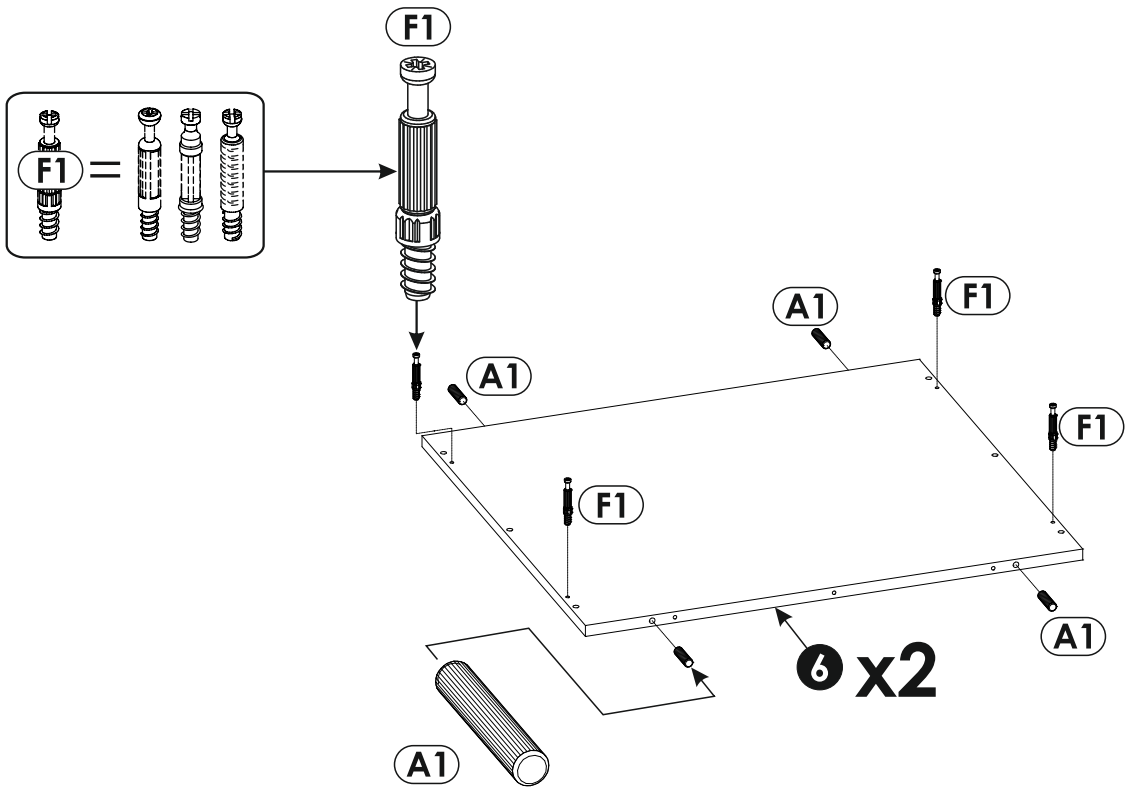
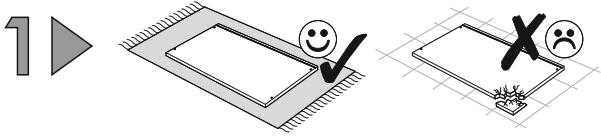
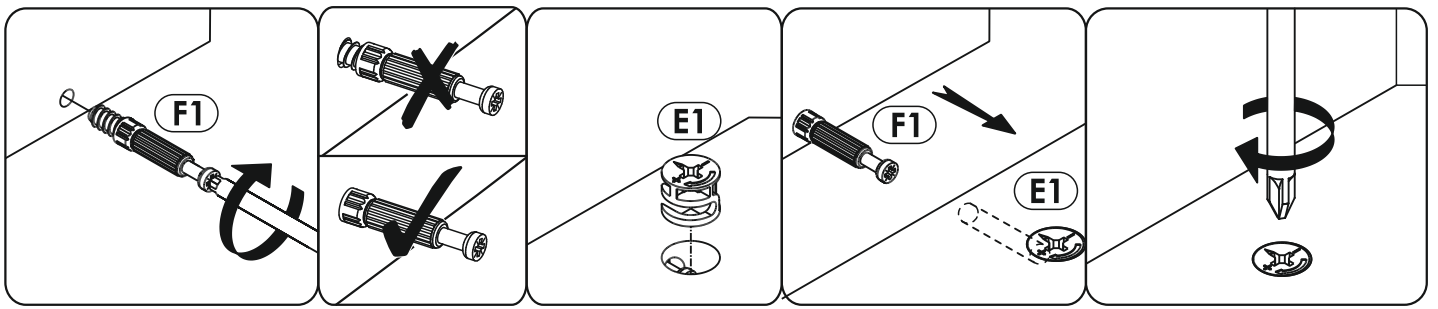
A1 8 x 35 mm x28 	E1 ø15 x 12.5 mm x8 	F1 6 x 34 mm x8 
G0  x16	G2 7 x 60 mm x24 	I2 4 x 16 mm x24 
I9 4 x 20 mm x20 	M  x1	O2A ø20 x14 
R8  x8	S19  x4	T10 L-650 mm x2 

MDT20

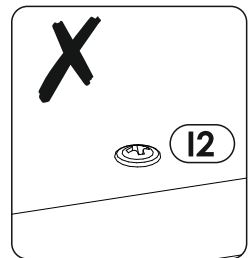
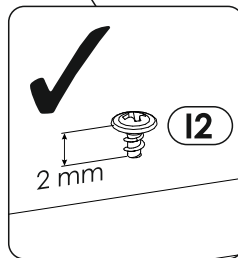
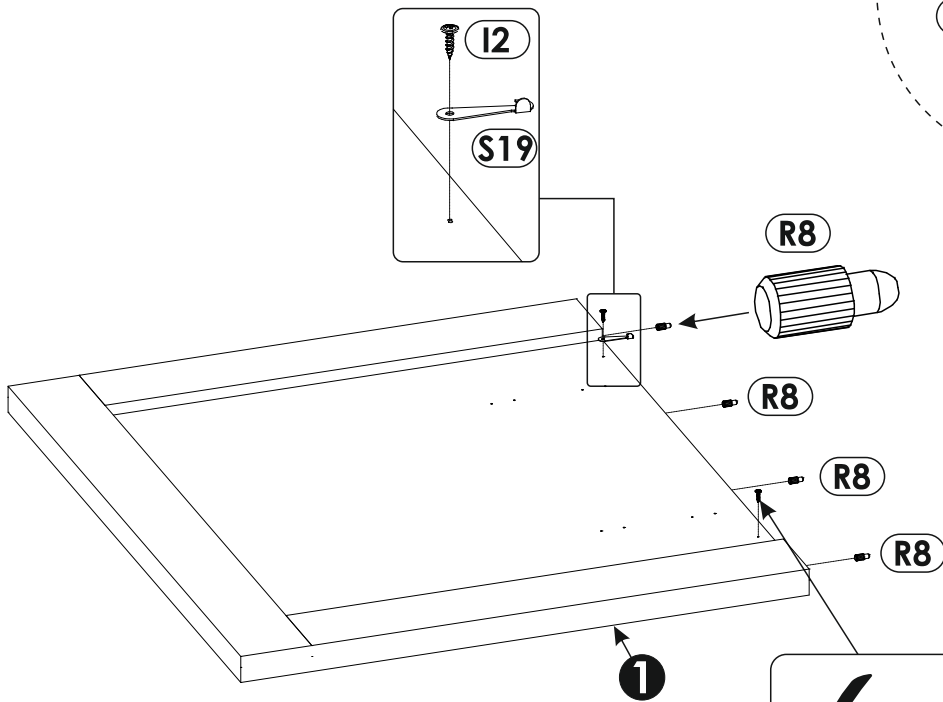
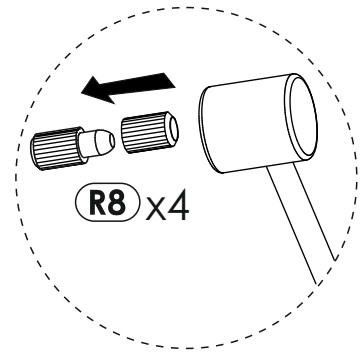
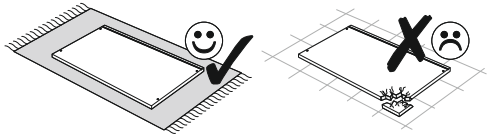


1	900	800	38	x1	1/2
2	900	800	38	x1	1/2
3	900	400	22	x1	2/2
4	1280	60	16	x2	2/2

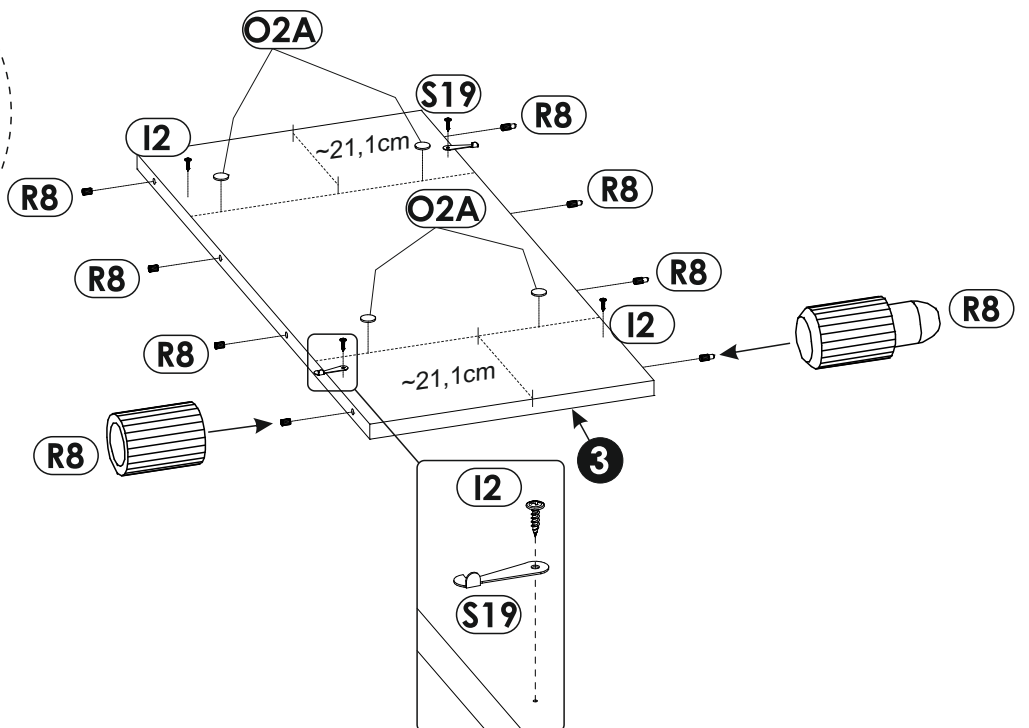
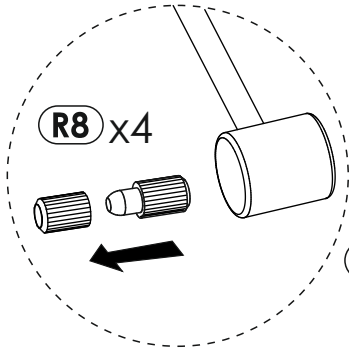
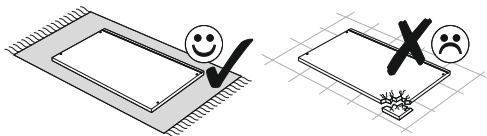
5	1280	500	22	x1	2/2
6	700	632	16	x2	1/2
7	148	632	16	x2	2/2
8	900	500	22	x1	2/2



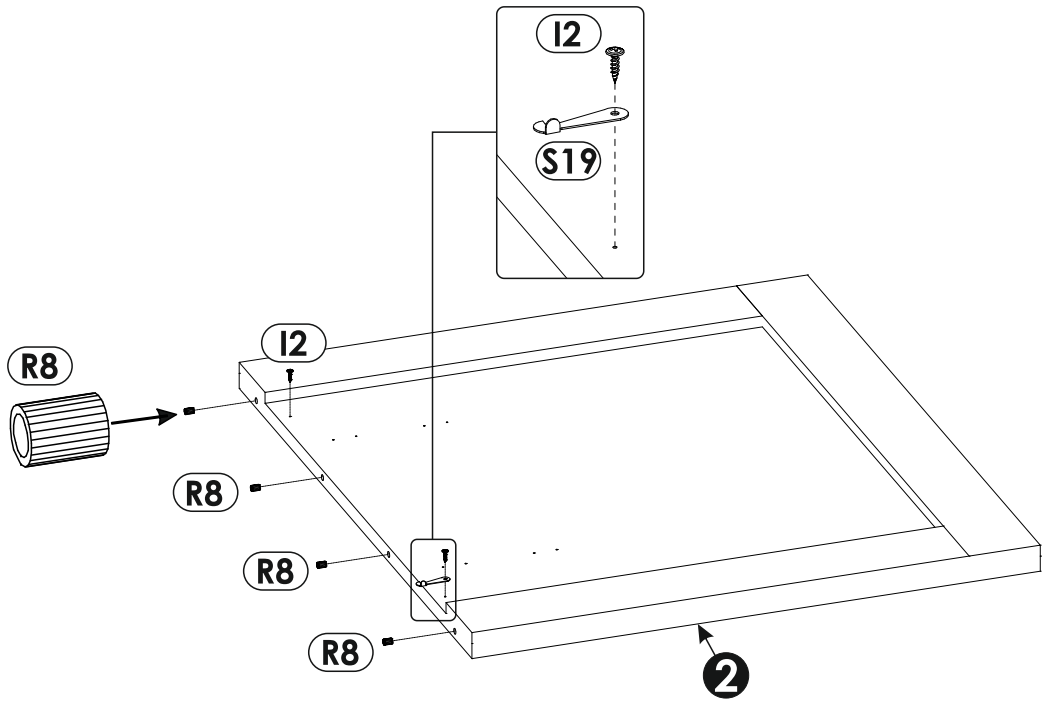
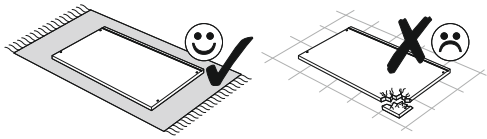
3 ▶



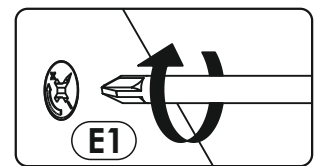
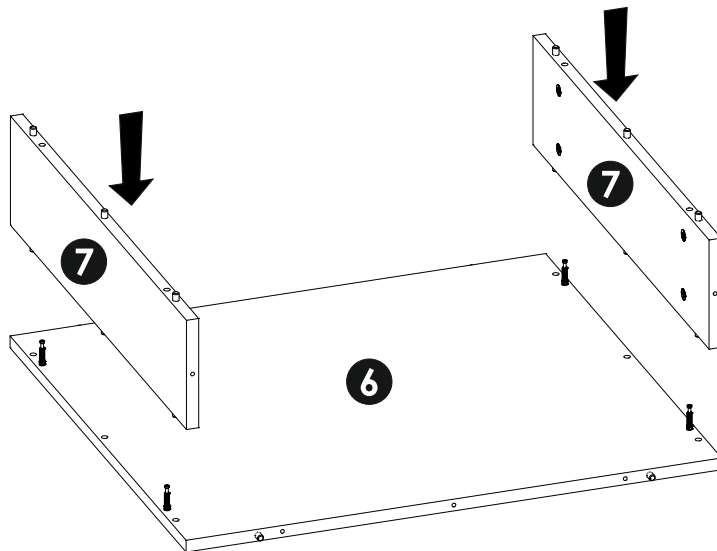
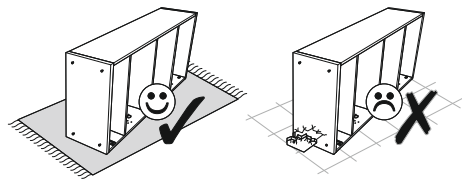
4 ▶

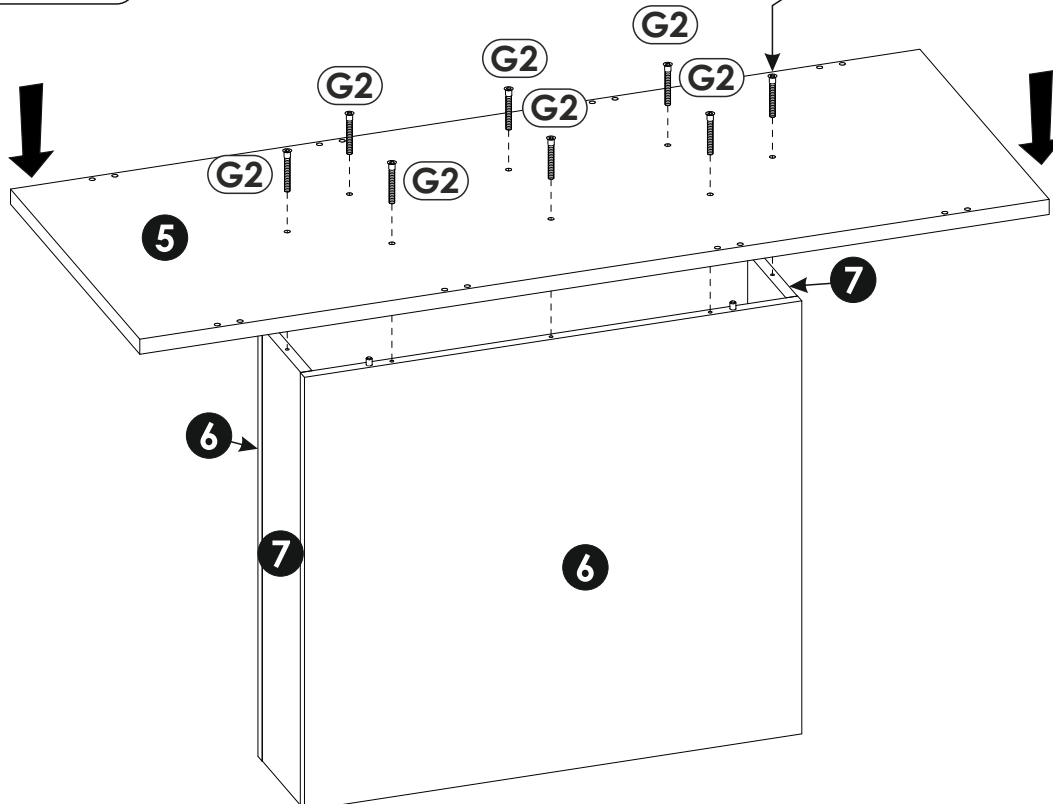
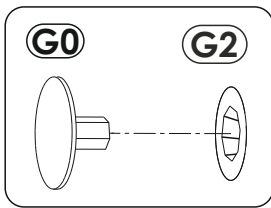
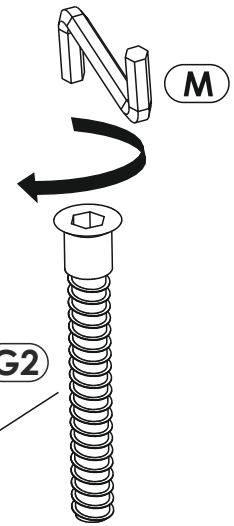
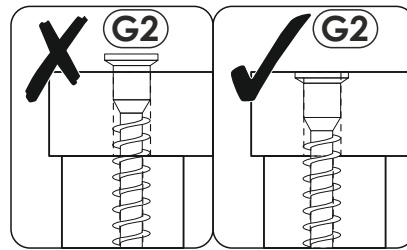
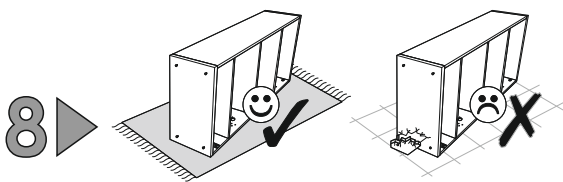
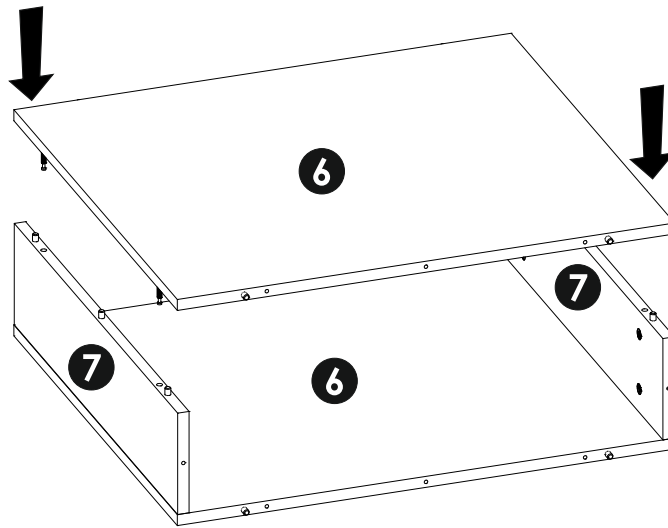
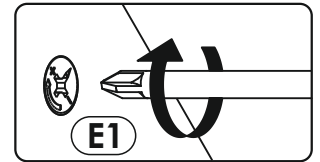
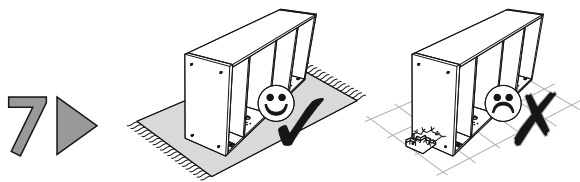


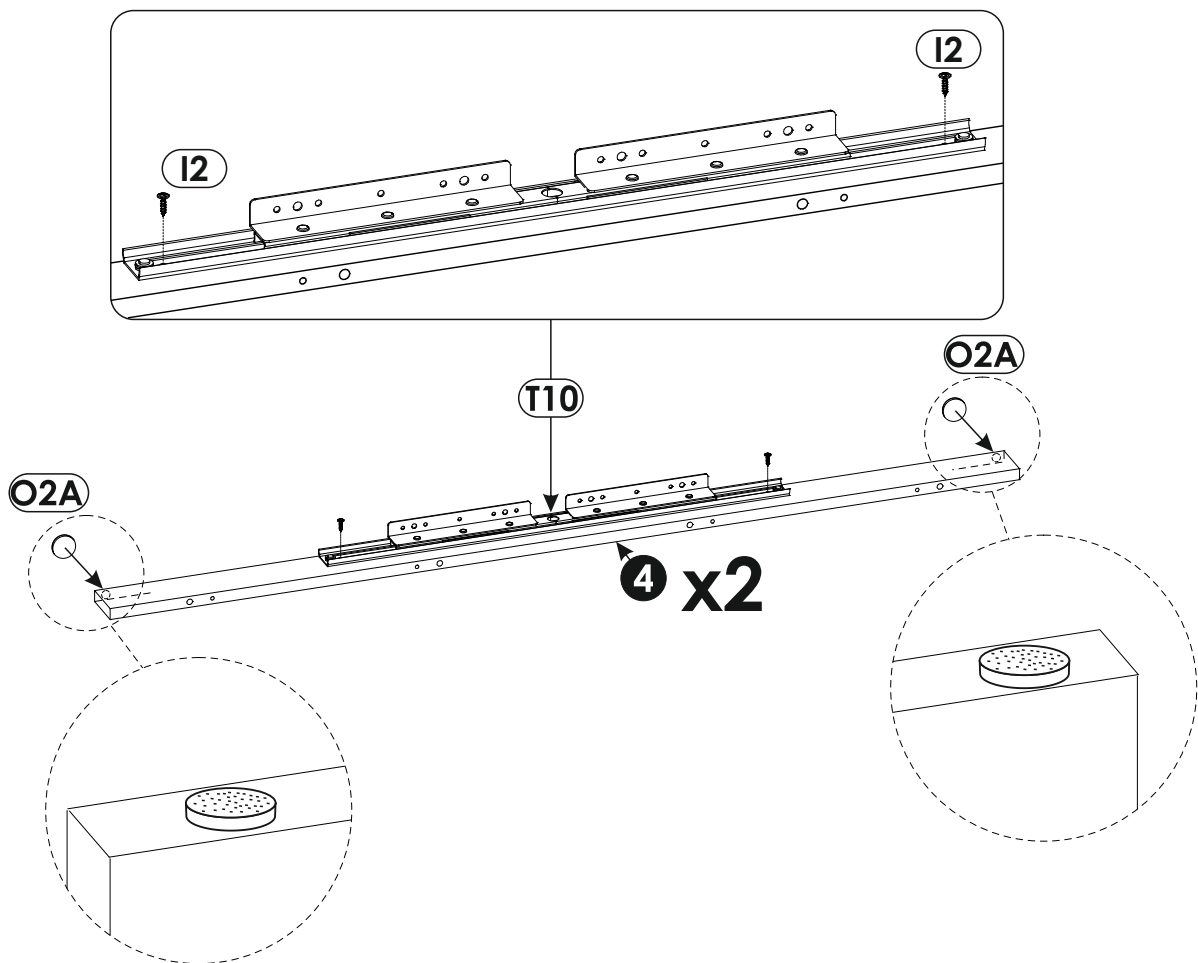
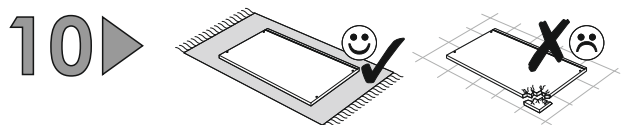
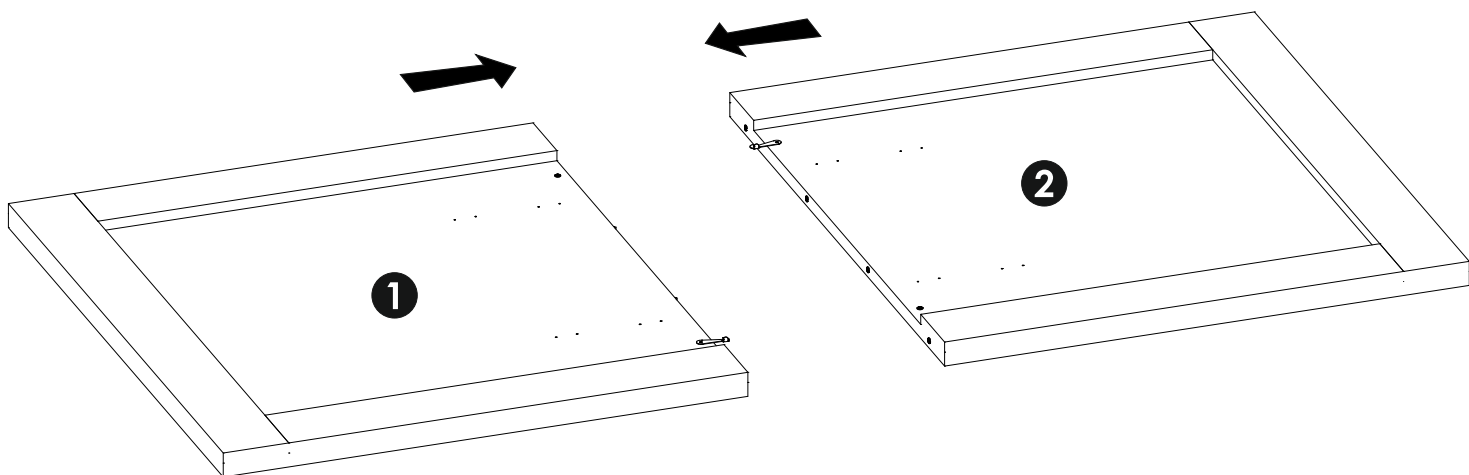
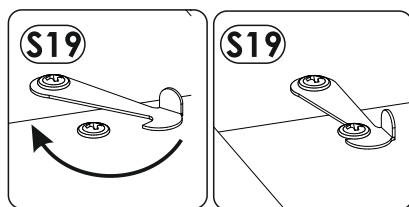
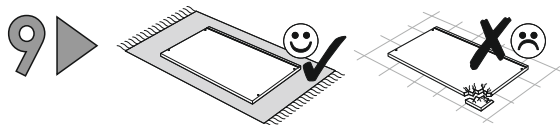
5 ▶

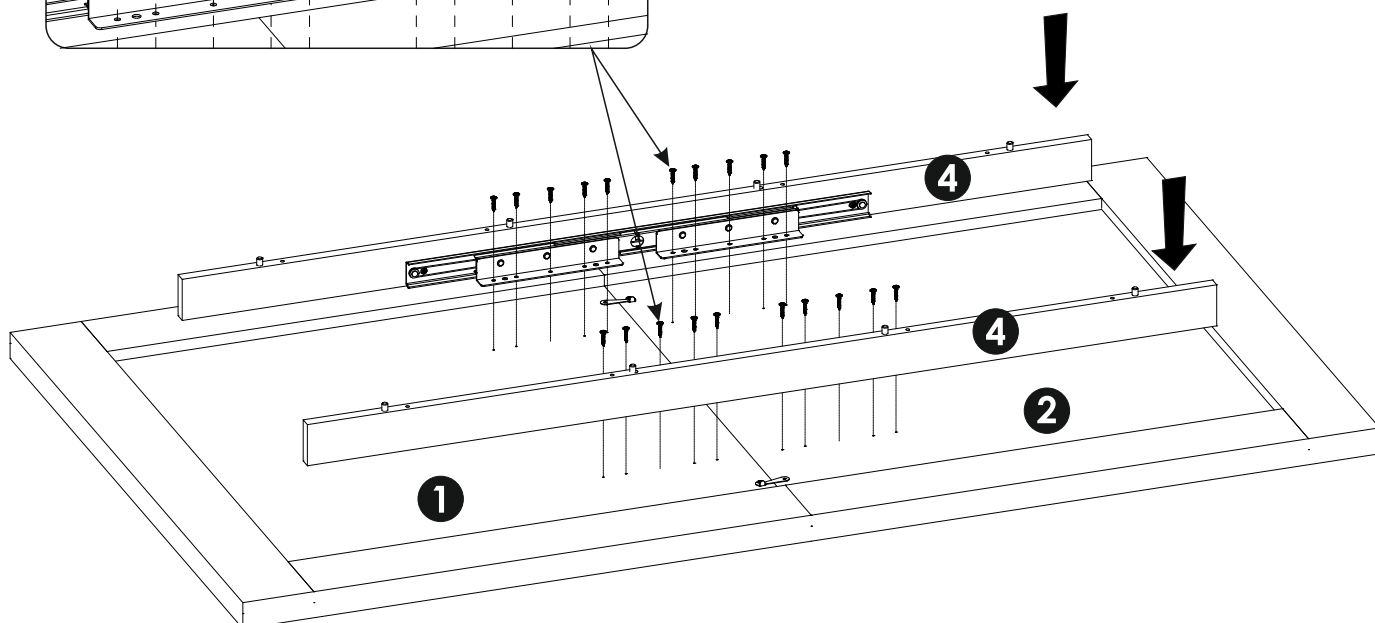
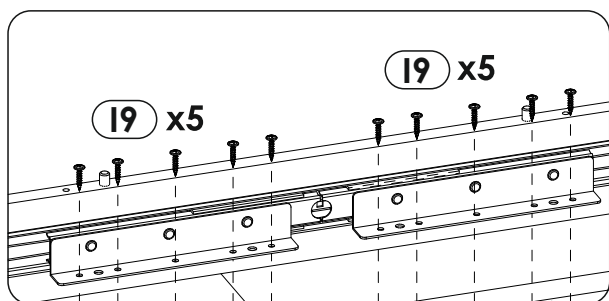
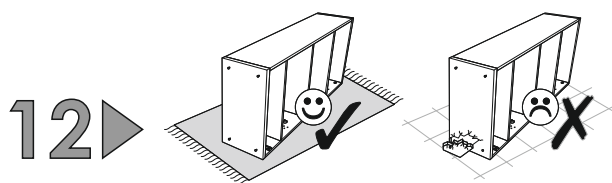
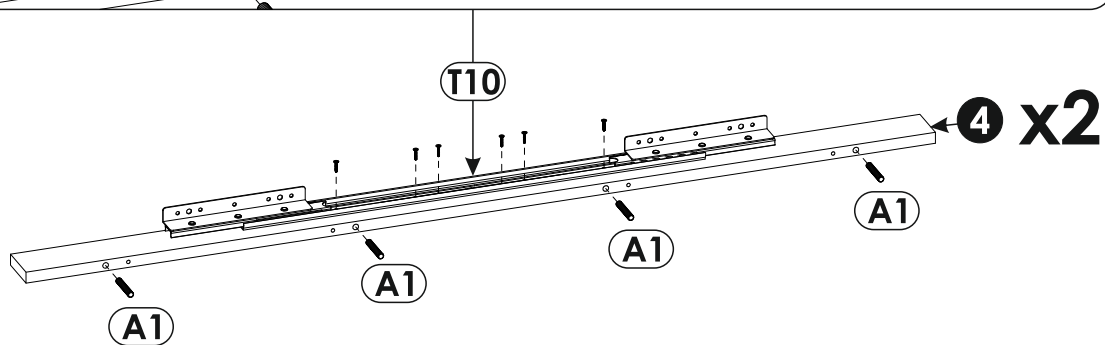
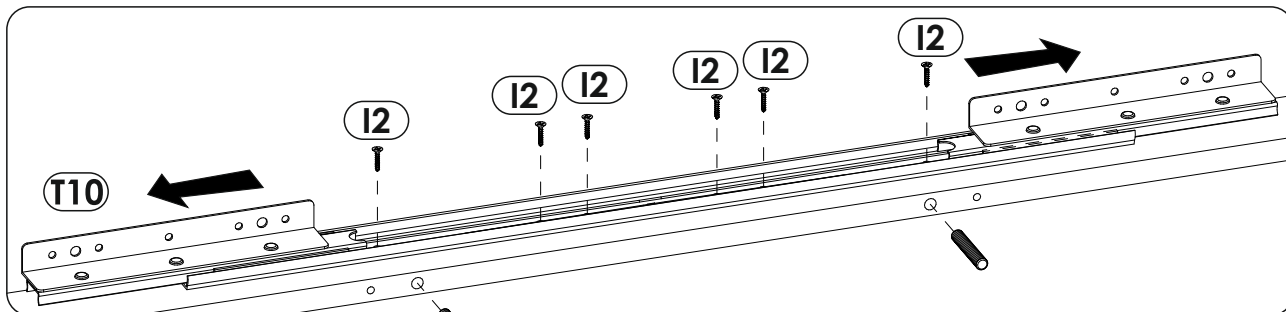
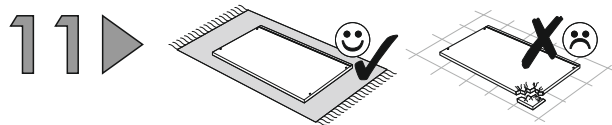


6 ▶

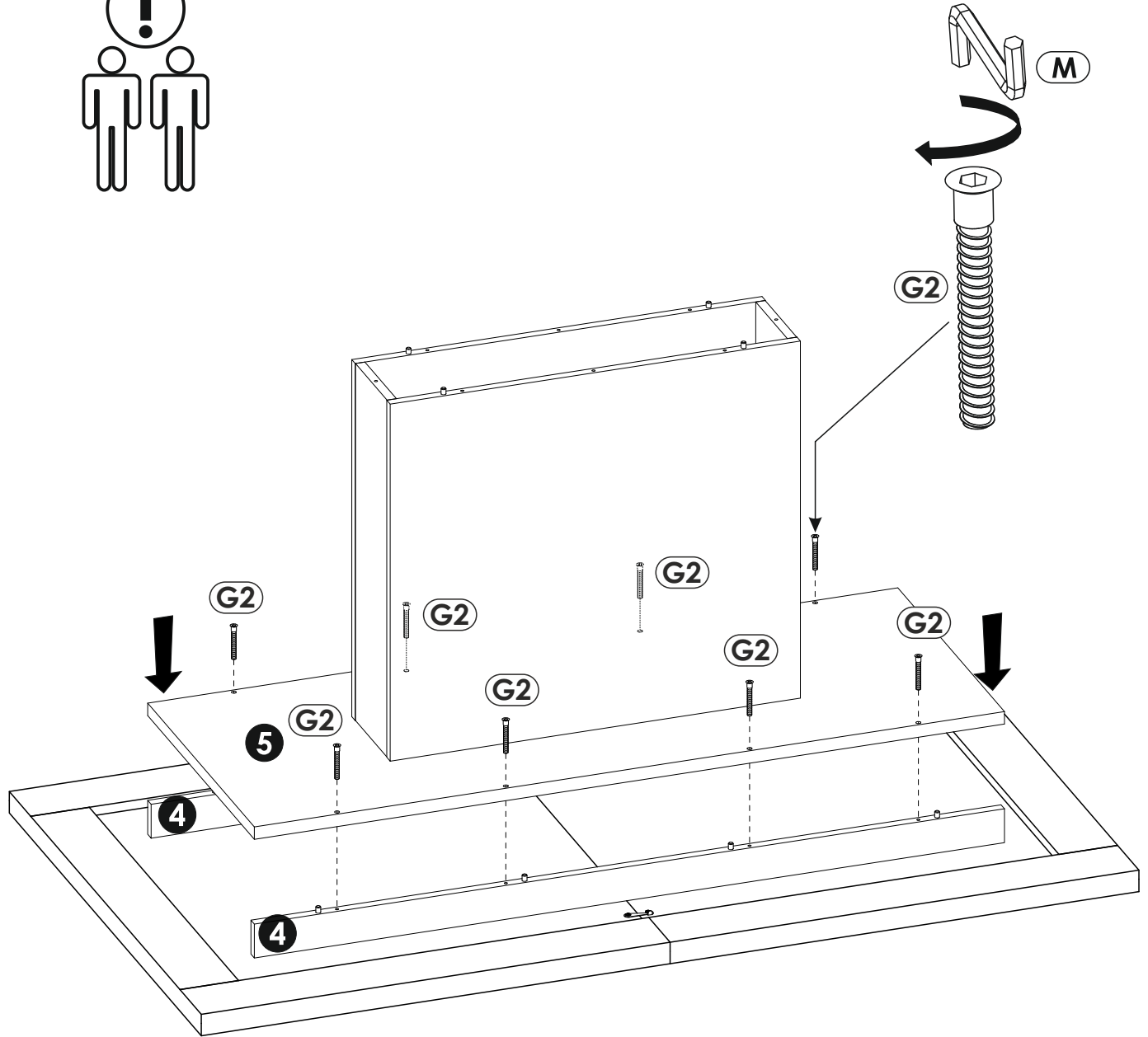
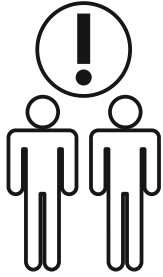
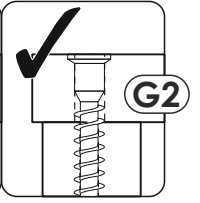
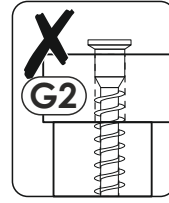
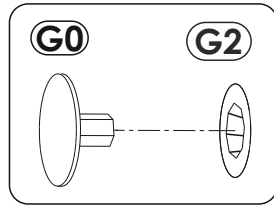
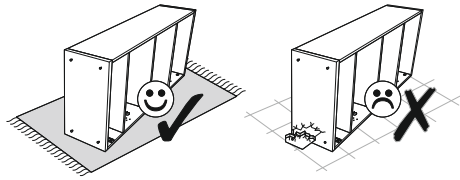




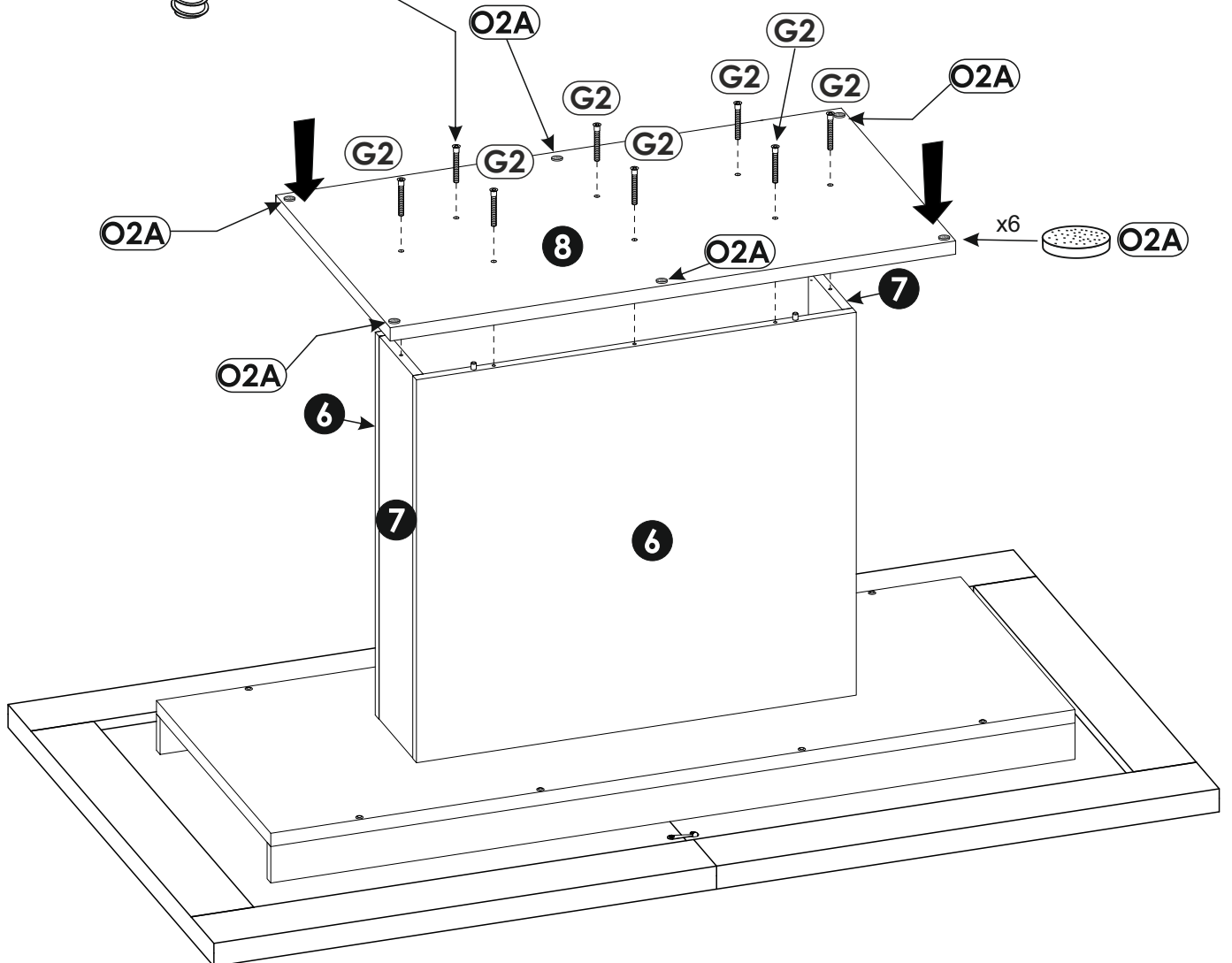
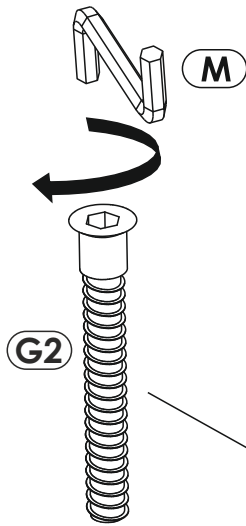
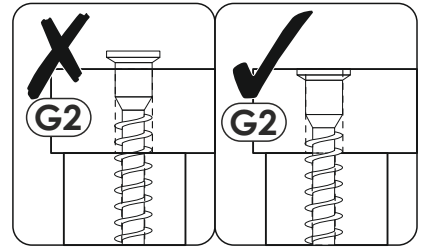
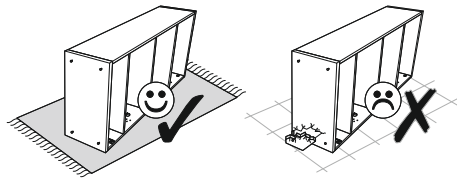




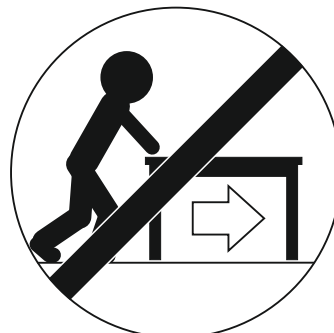
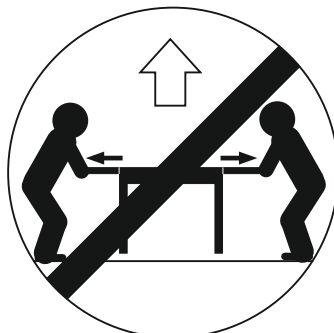
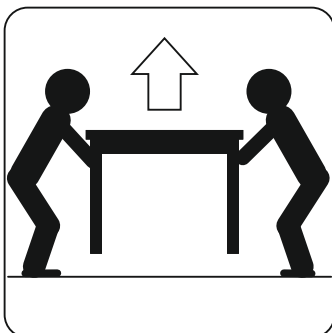
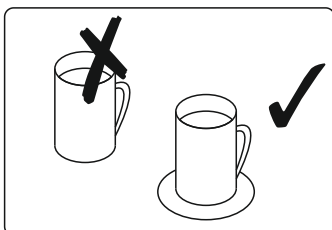
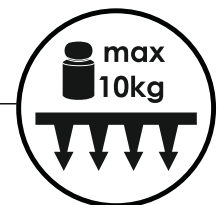
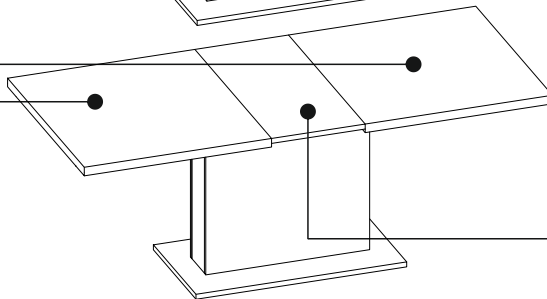
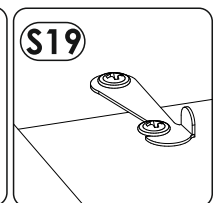
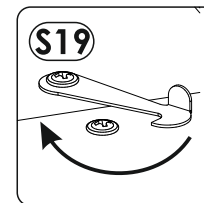
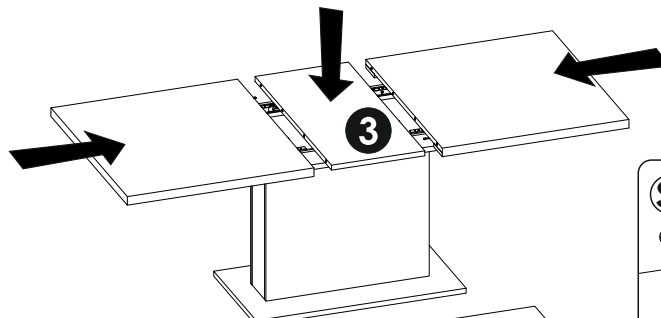
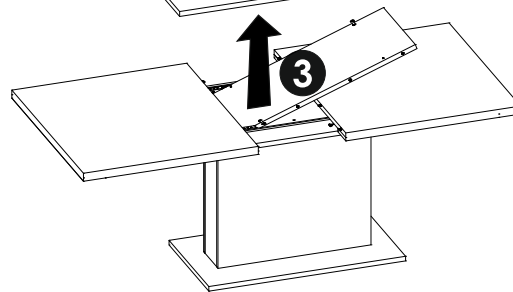
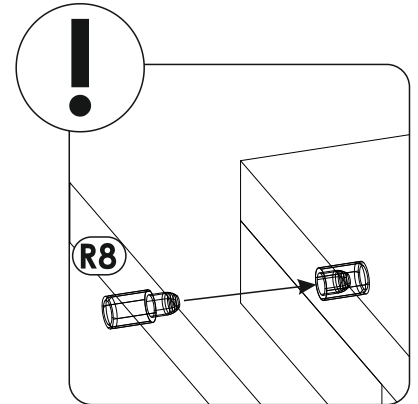
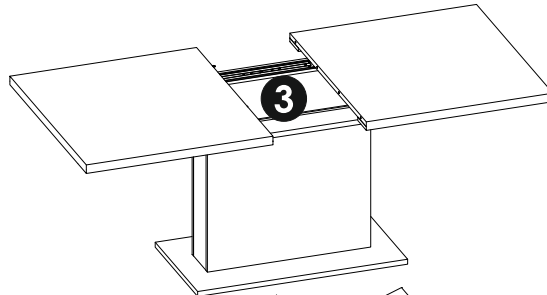
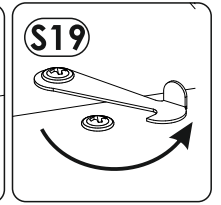
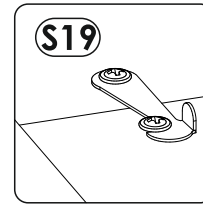
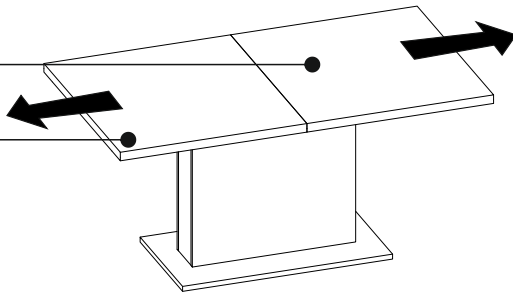
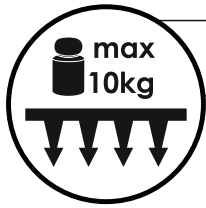
13 ▶

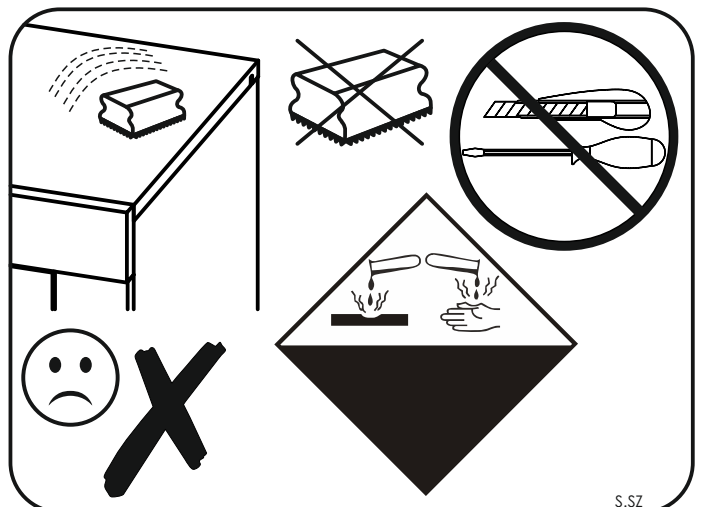
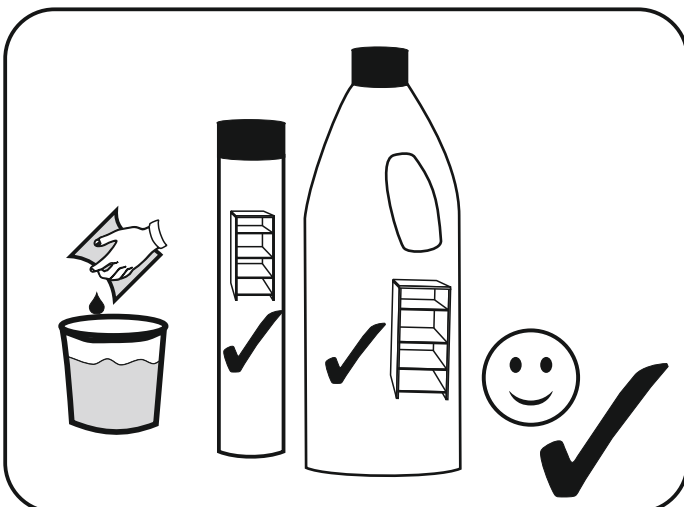
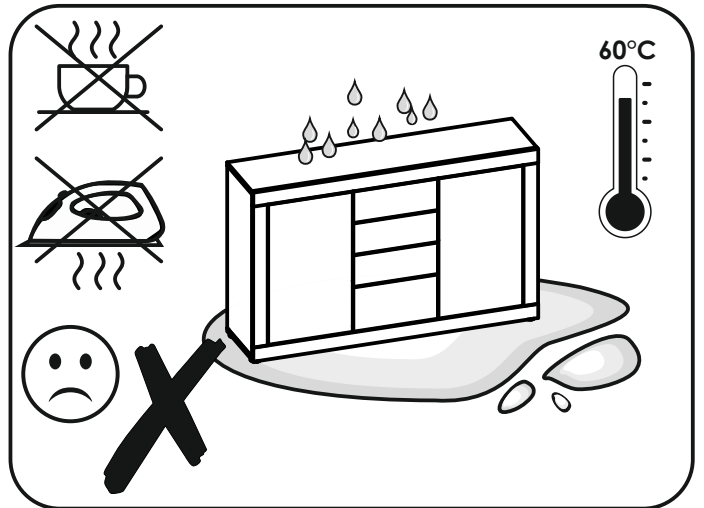
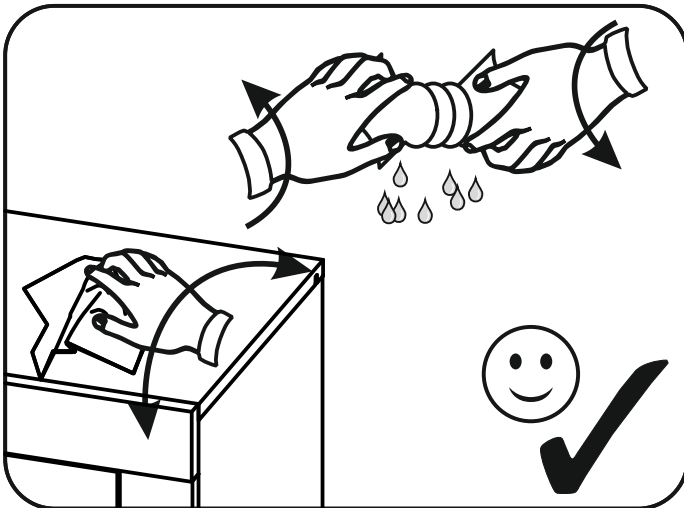
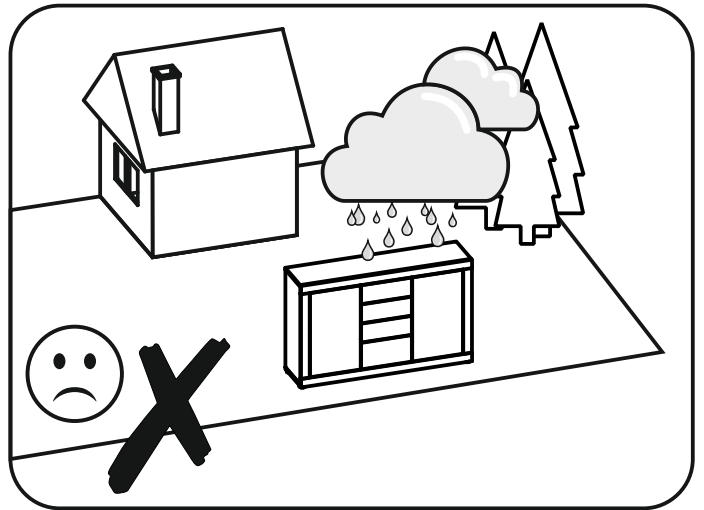
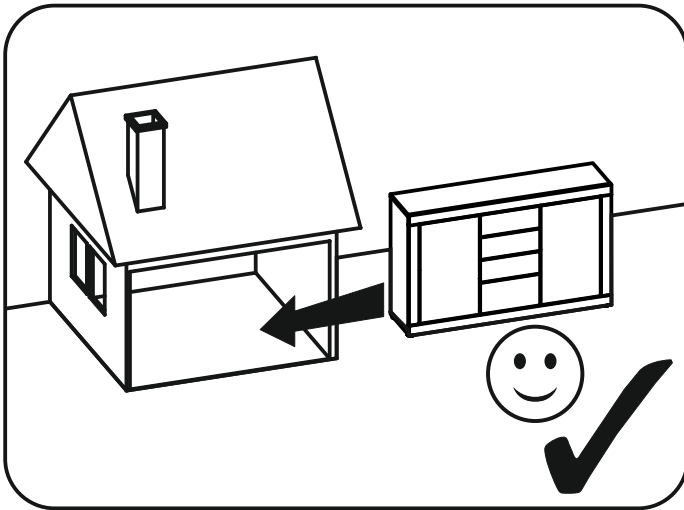
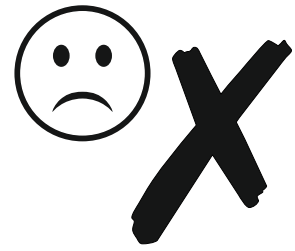


14 ▶



15 ▶





S.SZ