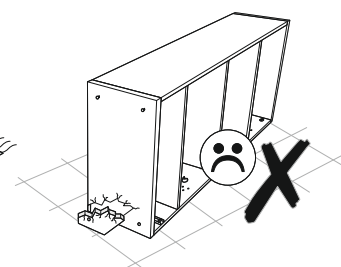
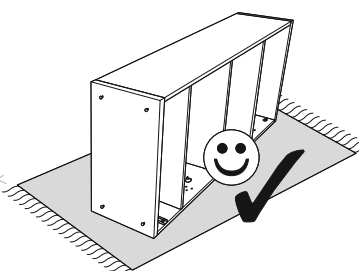
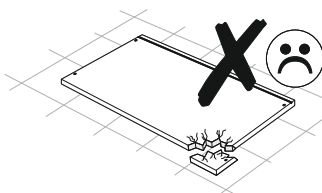
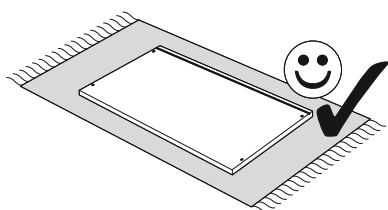
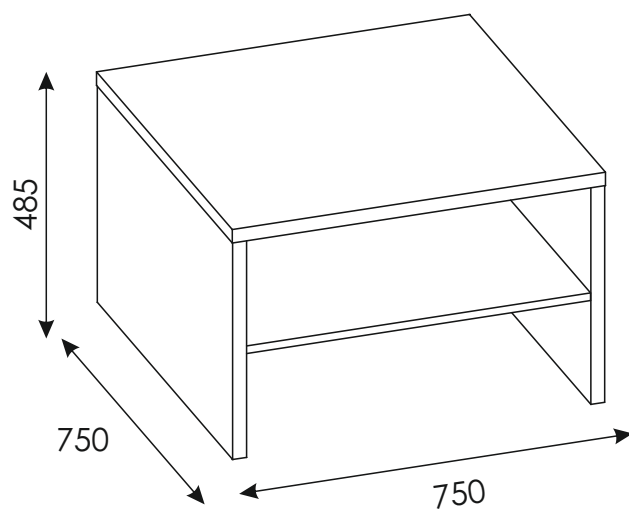
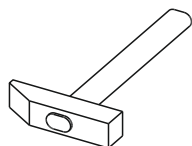
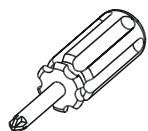
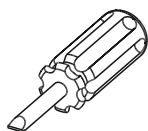
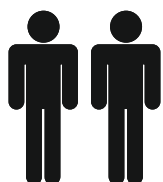
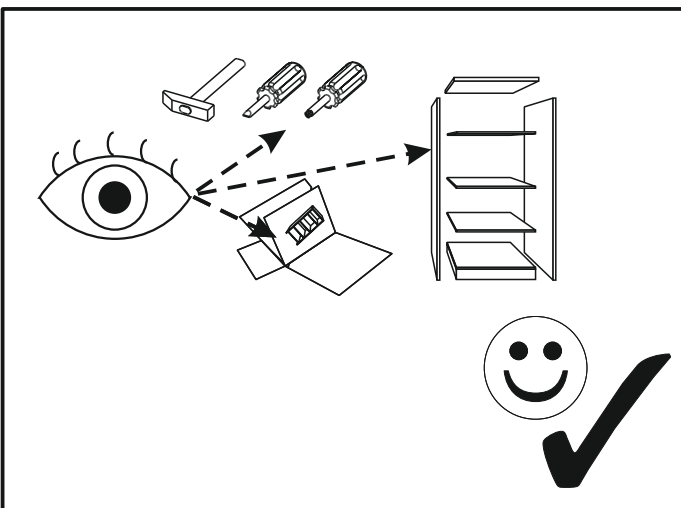
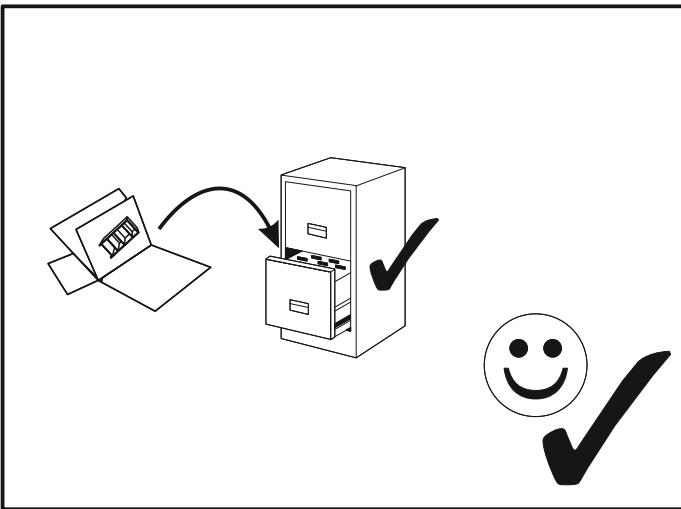
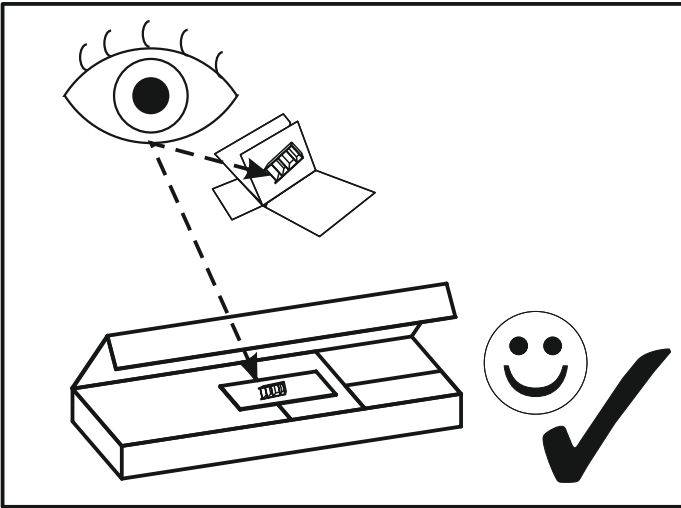


SHETLAND - 71

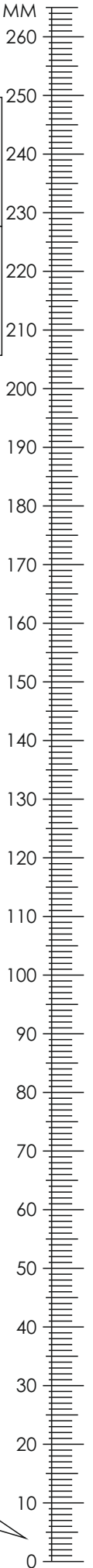






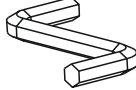
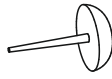
60 min

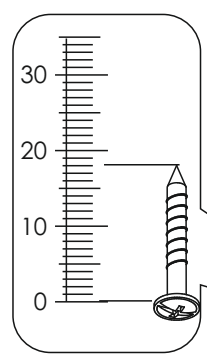




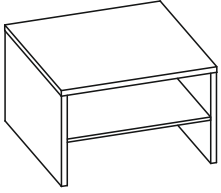
SHETLAND - 71



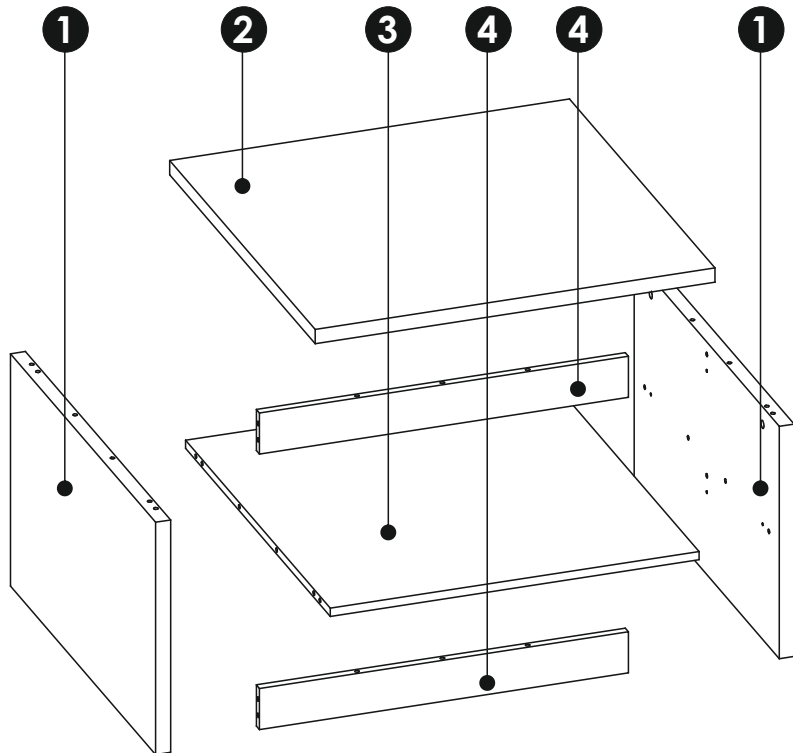
A1 x24 $\varnothing 8 \times 35\text{mm}$ 	E0 x14 	E1 14 $\varnothing 15 \times 12\text{mm}$ 
F1 x14 	M x1 	O2 x4 

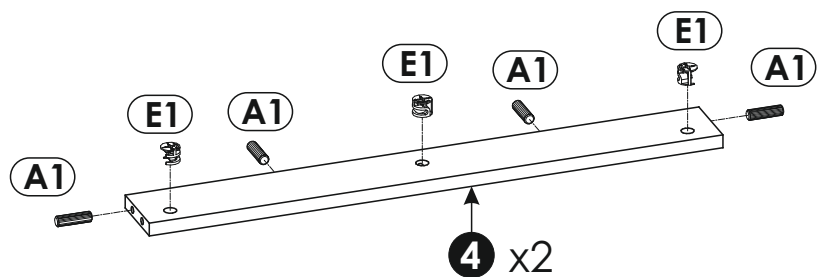
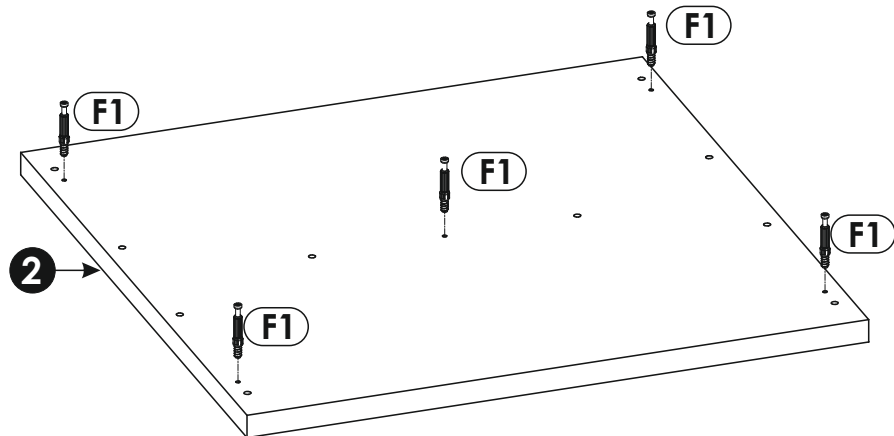
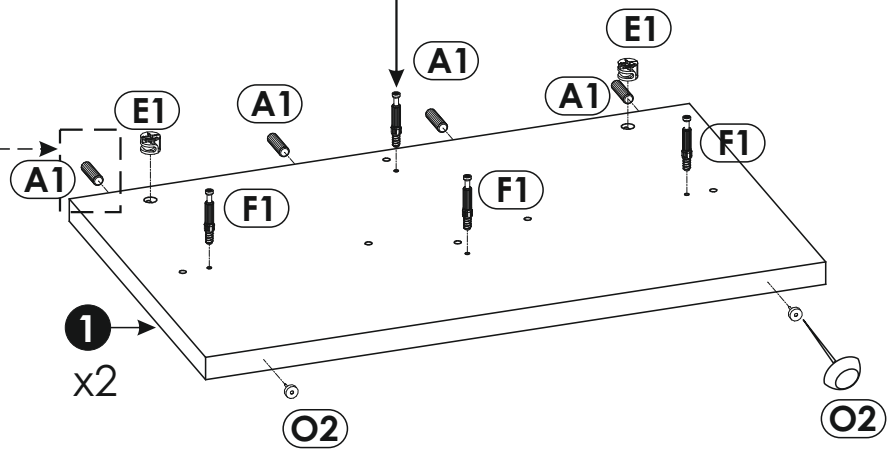
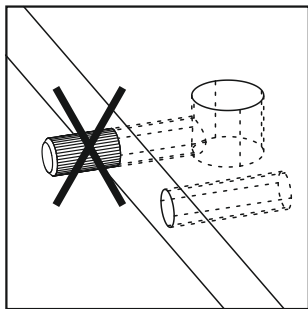
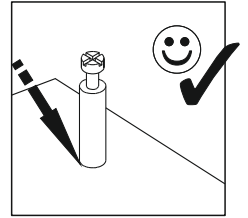
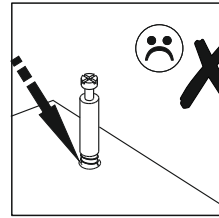
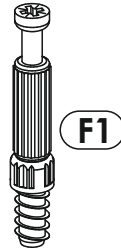
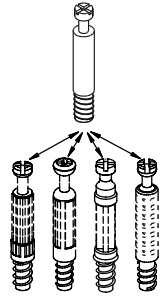
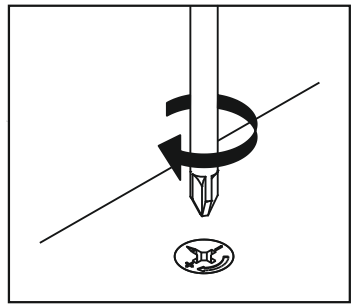
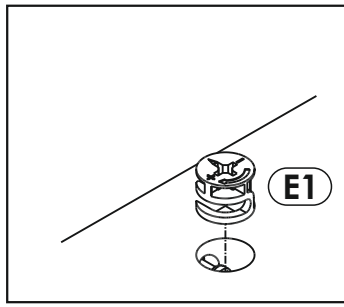
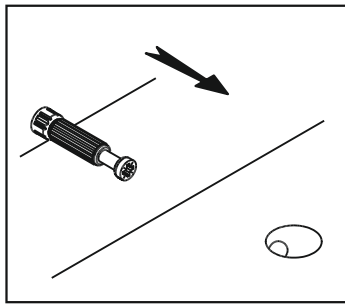
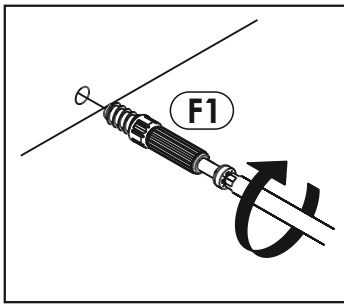


SHETLAND - 71

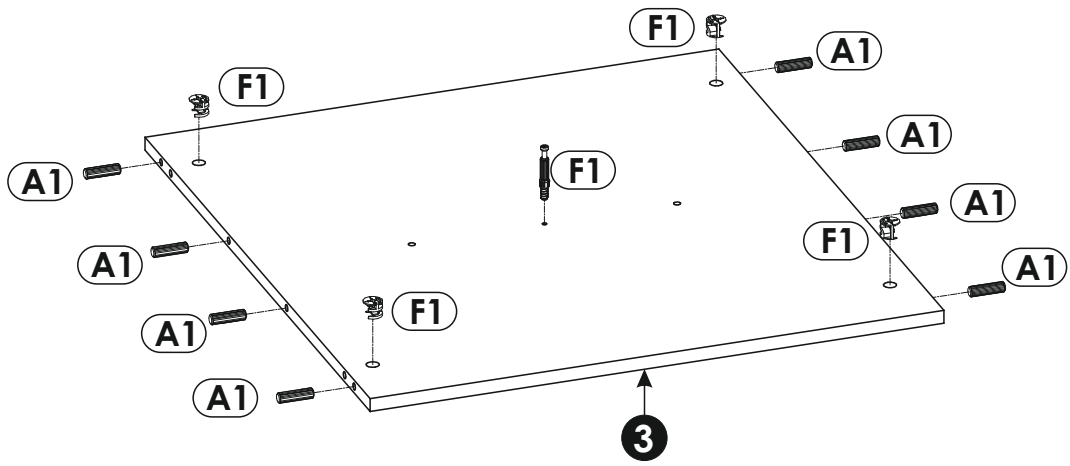


1	452	748	28	x2	1/1
2	750	750	28	x1	1/1
3	692	746	16	x1	1/1
4	692	80	16	x2	1/1

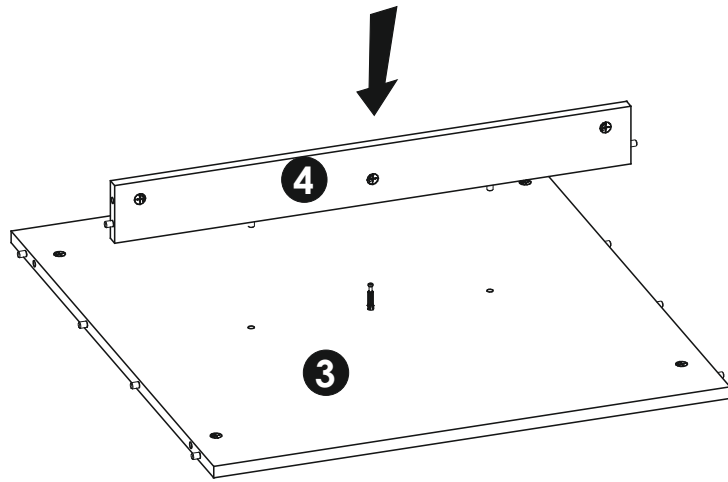




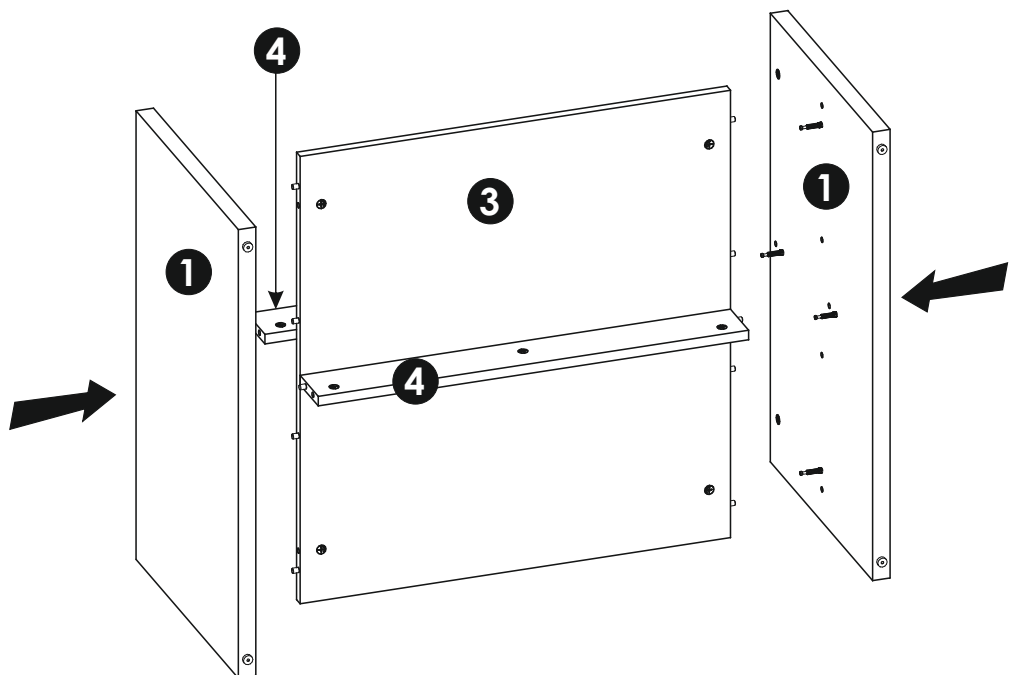
2 ▶



3 ▶



4 ▶



5 ▶

